



Toward the assembly of heparin and heparan sulfate oligosaccharide libraries: efficient synthesis of uronic acid and disaccharide building blocks

Akihiro Saito^a, Masahiro Wakao^{a,*}, Hiroshi Deguchi^a, Aya Mawatari^a, Michael Sobel^b, Yasuo Suda^{a,c,*}

^a Department of Chemistry, Biotechnology, and Chemical Engineering, Graduate School of Science and Engineering, Kagoshima University, 1-21-40 Kohrimoto, Kagoshima 890-0065, Japan

^b Division of Vascular Surgery, VA Puget Sound Health Care System and the University of Washington, School of Medicine, Seattle, WA, USA

^c SUDx-Biotec Corporation, 1-42-1, Shiroyama, Kagoshima 890-0013, Japan

ARTICLE INFO

Article history:

Received 18 November 2009
Received in revised form 22 March 2010
Accepted 22 March 2010
Available online 27 March 2010

Keywords:

Synthesis
Uronic acid
Glucuronic acid
Iduronic acid
Glucosamine
Heparin
Heparan sulfate

ABSTRACT

The monosaccharide moieties found in heparin (HP) and heparan sulfate (HS), glucosamine and two kinds of uronic acids, glucuronic and iduronic acids, were efficiently synthesized by use of glucosamine hydrochloride and glucurono-6,3-lactone as starting compounds. In the synthesis of the disaccharide building block, the key issues of preparation of uronic acids (glucuronic acid and iduronic acid moieties) were achieved in 12 steps and 15 steps, respectively, without cumbersome C-6 oxidation. The resulting monosaccharide moieties were utilized to the syntheses of HP/HS disaccharide building blocks possessing glucosamine–glucuronic acid (GlcN–GlcA) or iduronic acid (GlcN–IdoA) sequences. The disaccharide building blocks were also suitable for further modification such as glycosylation, selective deprotection, and sulfation.

© 2010 Elsevier Ltd. All rights reserved.

1. Introduction

Heparin (HP) and heparan sulfate (HS) are highly sulfated polysaccharides, and are the most complex carbohydrates among the glycosaminoglycan (GAG) superfamily.¹ HP/HS are basically composed of a repeating α or β (1,4)-linked disaccharide unit, which is derived from uronic acid, either glucuronic acid or iduronic acid, and *N*-acetyl-glucosamine residues. The structure is very heterogeneous and contains various substitution patterns derived from the multiple and random enzymatic modifications in their biosynthesis. The diverse micro- or domain structure, which is derived from the enzymatic modification, is considered to regulate the activity of many important biological proteins, such as growth factors, cytokines, viral proteins, and coagulation factors, through their binding interactions in many biological processes.^{1,2} The elucidation of the structure–function relations of HP/HS microstructures at the molecular level is, however, very difficult due to their naturally occurring structural diversity. Therefore, structurally defined HP/HS sequences (oligosaccharides) are essential for the precise understanding of the interactions of HP/HS with their

target molecules. Many synthetic approaches to the synthesis of HP/HS oligosaccharides have been so far performed.^{3–7}

Recently, a synthetic strategy for the assembly of a HP/HS oligosaccharide library has attracted much attention, because it offers a more comprehensive evaluation of HP/HS biological functions.^{4c,5,6a} For this accomplishment, the efficient synthesis of uronic acid moieties and disaccharide building blocks accessible to HP/HS oligosaccharides with various sugar and sulfation patterns is required. As neither idose nor iduronic acid derivatives are commercially available, their syntheses are especially important. Currently, iduronic acid moieties are synthesized from glucose or glucuronic acid as a starting material, involving C-5 epimerization and/or C-6 oxidation.⁷ But C-5 epimerization sometimes needs to be carried out under harsh conditions, such as, strong basic conditions, and the range of usable protective groups is restricted. C-6 Oxidation is also sometimes problematic in yield and repeatability. So far, many intermediates suitable for the structure of HP/HS have been developed as HP/HS building blocks.^{3–7}

Previously, we reported the synthesis and analysis of a variety of HP/HS oligosaccharides for investigating their binding properties,⁶ in which we clarified that an appropriate HP/HS disaccharide structure was needed for the specific binding between sugar component and protein. Although further investigation of HP/HS binding properties was needed, our previous synthetic route was

* Corresponding authors. Tel./fax: +81 99 285 7843; e-mail addresses: wakao@eng.kagoshima-u.ac.jp (M. Wakao), ysuda@eng.kagoshima-u.ac.jp (Y. Suda).

not suitable for the generation of a sufficiently diverse sugar and sulfation pattern. In this study, we synthesized novel disaccharide building blocks for the systematic analysis of HP/HS binding properties.

2. Results and discussion

Our synthetic strategy is shown in Figure 1. The two disaccharide building blocks containing *gluco*- and *ido*-type are prepared from two common monosaccharides, D-glucosamine and D-glucurono-6,3-lactone. They contain a diverse set of protective groups for generating various sulfation patterns. O-Sulfation is achieved by selective removal of benzoyl (Bz), 4-methoxybenzyl (MPM), and/or *tert*-butyldiphenylsilyl (TBDPS) groups. Conversion of the azido group to amine, *N*-sulfate, and/or *N*-acetate is achieved by reduction of azido group followed by *N*-sulfation and/or *N*-acetylation. A glucosamine moiety containing different protective groups is easily prepared from glucosamine. A levulinyl (Lev) group at 4-position is

introduced for the further elongation of the sugar chain. Two uronic acid moieties are prepared from glucurono-6,3-lactone, which is already oxidized at the C-6 position. The synthetic route is expected to be simple because a cumbersome oxidation step can be omitted. Conversion to *ido*-form is achieved by the inversion reaction at C-5 position on furanose form.

Syntheses of uronic acid moieties were carried out as shown in Scheme 1. Firstly, inexpensive glucurono-6,3-lactone **1** was transformed to 1,2-isopropylidene **2** according to the method reported previously.^{7m} Obtained **2** was then converted to furanose **3** in 43% overall yield in four steps through simple protection and deprotection processes of hydroxy groups. The removal of the isopropylidene group on furanose **3** by treatment with trifluoroacetic acid (TFA) gave triol **4**. Conversion to pyranose form by 1,2-selective protection was then examined. First, 1,2-cyclic acetal protection to obtain pyranose form was used.^{4h,7a} Unfortunately, the resulting uronic acid derivatives were a mixture of pyranose and furanose forms under the conditions of acetal formation, suggesting a lower

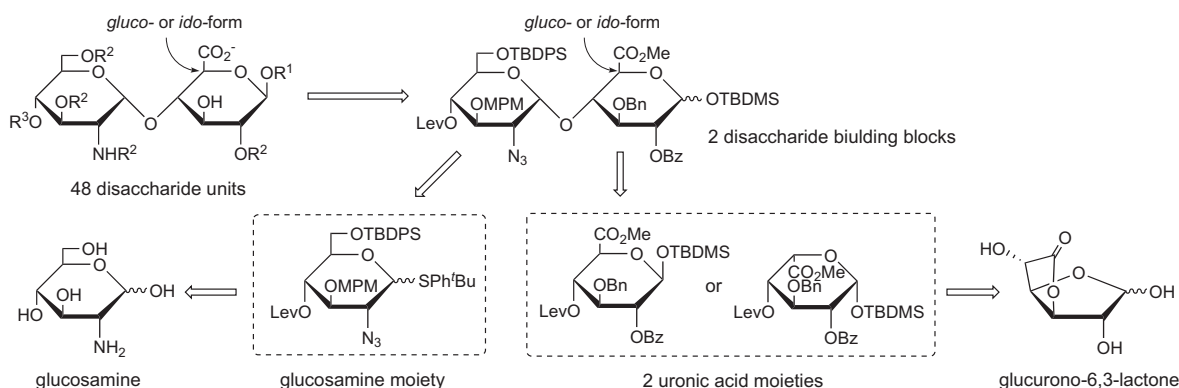
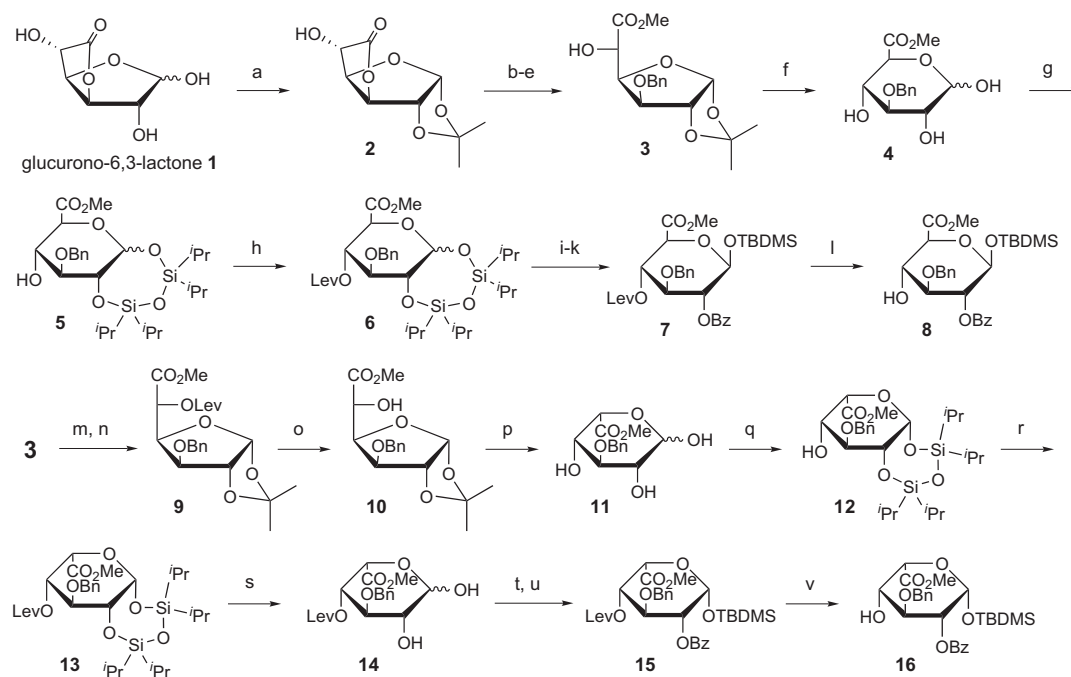


Figure 1. Synthetic route of heparin/heparan sulfate disaccharide structures.



Scheme 1. Syntheses of uronic acid moieties: (a) H_2SO_4 in acetone, 84%; (b) TBDMSCl, imidazole in CH_2Cl_2 ; (c) 1.0 M MeONa in MeOH (d) BnOC(=NH)Cl_3 , TBDMSOTf, MS4Ap in CH_2Cl_2 , 0 °C; (e) TBAF, AcOH in THF, 43% (four steps); (f) TFA/ H_2O (9:1) (83%); (g) TIPDSCl₂, imidazole in DMF, 85%; (h) LevOH, EDC·HCl, DMAP in CH_2Cl_2 , 84%; (i) TBAF, AcOH in THF; (j) TBDMSCl, imidazole, MS4Ap in CH_2Cl_2 ; (k) BzCl in pyridine, 78% (3 steps); (l) $\text{H}_2\text{NNH}_2 \cdot \text{H}_2\text{O}$ in pyridine/AcOH (3:2), 83%; (m) Ti_2O , pyridine in CH_2Cl_2 ; (n) LevONa in DMF; (o) $\text{H}_2\text{NNH}_2 \cdot \text{H}_2\text{O}$ in pyridine/AcOH (3:2), 56% (three steps); (p) TFA/ H_2O (9:1), 95%; (q) TIPDSCl₂, imidazole in CH_3CN , 78%; (r) LevOH, EDC·HCl, DMAP, TEA in DMF, 68%; (s) TBAF, AcOH in THF, 90%; (t) TBDMSCl, imidazole, MS4Ap in CH_2Cl_2 ; (u) BzCl, DMAP in pyridine, 65% (two steps); (v) $\text{H}_2\text{NNH}_2 \cdot \text{H}_2\text{O}$ in pyridine/AcOH (3/2), 89%.

yield of the desired pyranose form under the thermodynamic control. Thus, 1,1,3,3-tetraisopropylidisiloxanylidene (TIPDS) as a 1,2-selective protection group was chosen to yield the kinetically controlled product. 1,2-Selective cyclic reaction with 1,3-dichloro-1,1,3,3-tetraisopropylidisiloxane (TIPDSCl₂) was performed under the standard conditions⁸ using imidazole as a base in DMF to afford pyranose form **5** in 85% yield with high pyranose-selectivity⁹ ($\alpha/\beta=5:3$). Levulinylolation of pyranose **5** gave 4-O-Lev **6**, which was subsequently treated with tetra-*n*-butylammonium fluoride (TBAF). The resultant was subjected to silylation with a TBDMS group at the 1-position, benzoylation at the 2-position, and delevulinylolation to afford the glucuronic acid moiety **8** as a glycosyl acceptor. Meanwhile, *ido*-furanose **10** was prepared by a general S_N2 reaction of the triflate of furanose **3** with LevONa. After removal of the Lev group, the iduronic acid moiety **10** was treated with TFA to afford triol **11**. The reaction of triol **11** with TIPDSCl₂ and imidazole efficiently proceeded when CH₃CN was used as a solvent at -45 °C, providing the pyranose form **12** in 78% with β -selectivity. After levulinylolation of **12** with LevOH, DCC, and TEA, iduronate **16** was then synthesized as a similar transformation to the synthesis of the glucuronic acid moiety **8**.

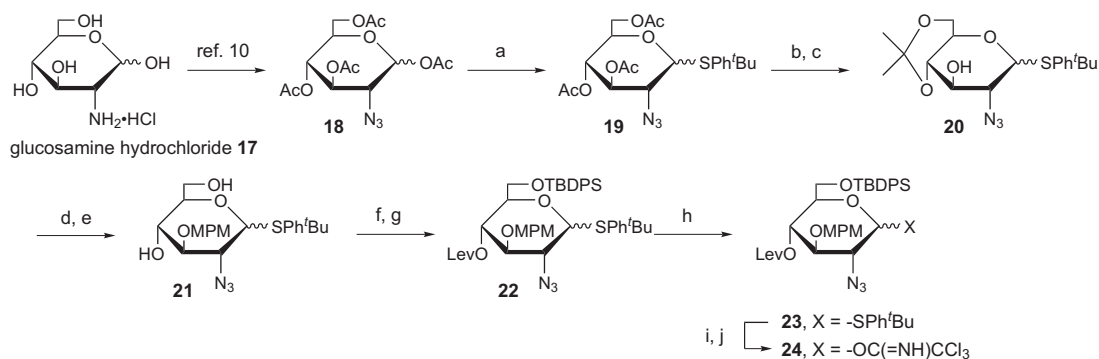
Synthesis of the glucosamine donor **23** and **24** was carried out as shown in Scheme 2. Azido glucose **18**, which was prepared according to the method reported previously,¹⁰ was converted to thioglycoside **19**. After removal of the acetyl group of thioglycoside **19**, hydroxyl groups at 4- and 6-positions were selectively protected with isopropylidene group. The remaining hydroxyl group was then protected with MPM group. The resultant was treated with AcOH to produce diol **21**. Selectively silylation of diol **21** at 6-position with TBDPS group followed by levulinylolation at 4-position

gave thioglycoside donor **23**. Imidate donor **24** was also prepared in the usual manner.

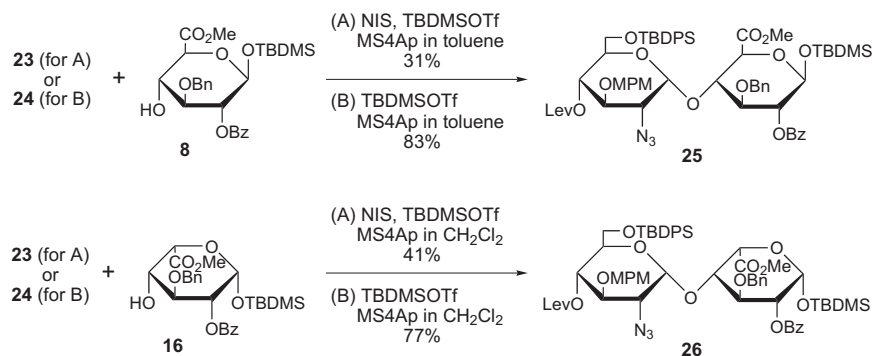
Two kinds of disaccharide building blocks were then synthesized from the prepared monosaccharide moieties (Scheme 3). Glycosylation of the thioglycoside donor **23** and glucuronate **8** was carried out by use of *N*-iodosuccinimide (NIS) in the presence of TBDMSOTf¹¹ to give disaccharide **25** only in 31% yield but with high α -selectivity. Thioglycoside **23** was ineffective on the glycosylation with iduronate **16**. In contrast, glycosyl imidate **24** was found to be an efficient donor in glycosylation both with glucuronate **8** and iduronate **16**. These reactions proceeded smoothly to produce disaccharide **25** and **26** in 83% and 77% yields with high α -selectivity, respectively.

Next, we examined whether the disaccharide building blocks could apply to further modifications like sugar-chain elongation, selective deprotection, sulfation, and final deprotection, or not. One of our goals is the assembly of an HP/HS disaccharide partial structure library, in order to determine the structure–function relations of their interactions with HP/HS binding molecules using Sugar Chips. In our Sugar Chips system, a glucose moiety spacer is often used at the reducing terminal. To prepare the oligosaccharides for use in this system, we carried out syntheses of trisaccharides containing GlcN-UroA-Glc (Scheme 4) and GlcN-IdoA-Glc sequence (Scheme 5). The disaccharide building block **25** was first converted to glycosyl donor **28** via selective desilylation at 1-position followed by formation of imidate. Glycosylation of spacer **29** with obtained **28** proceeded smoothly to give trisaccharide **30** in satisfactory yield.

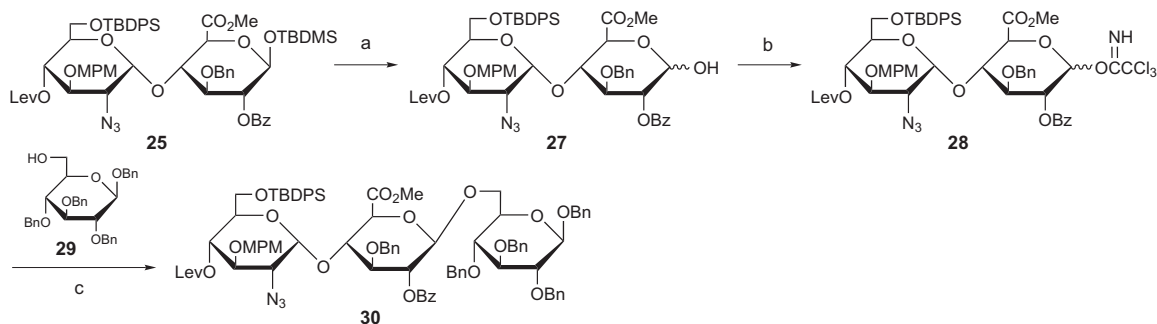
Meanwhile, the disaccharide building block **26** was selectively converted to 1-OH form **31** by treatment of HF·pyridine, although there was no selectivity by treatment of TBAF. Trisaccharide **33** was prepared in a manner similar to that of trisaccharide **30**.



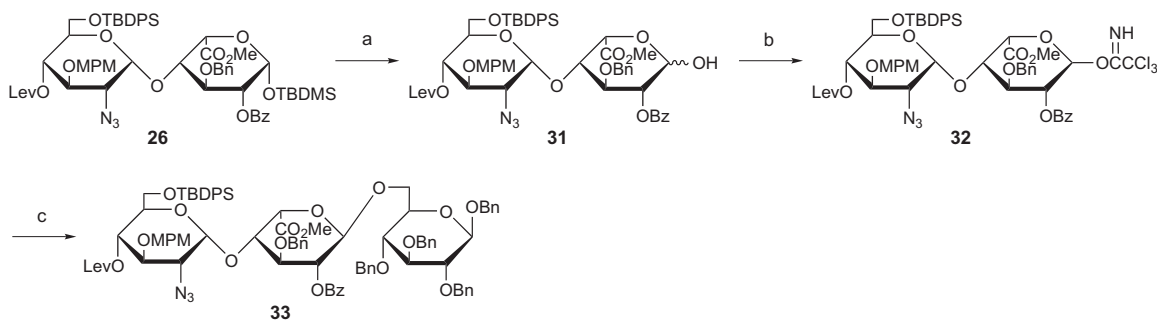
Scheme 2. Synthesis of glucosamine moiety: (a) TBDMSOTf, MSAW300, HSPH^tBu in CH₂Cl₂, 73%; (b) 1.0 M MeONa in MeOH; (c) 2-methoxypropene, CSA in acetone, 74% (two steps); (d) MPMCl, NaH in DMF; (e) AcOH/CH₂Cl₂/H₂O (8:1:1), 75% (two steps); (f) TBDPSCl, imidazole in DMF; (g) LevOH, EDC·HCl, DMAP in DMF, 89% (two steps); (h) NCS in acetone/H₂O (5:2), 73%; (i) CCl₃CN, Cs₂CO₃ in CH₂Cl₂.



Scheme 3. Synthesis of disaccharide building blocks **25** and **26**: conditions (A) and (B) were used for glycosylation with thioglycoside **23** and glycosyl imidate **24**, respectively.



Scheme 4. Synthesis of trisaccharide **30**: (a) TBAF, AcOH in THF, 78%; (b) CCl_3CN , Cs_2CO_3 in CH_2Cl_2 ; (c) TMSOTf, MS4Ap in CH_2Cl_2 , 68% (two steps).

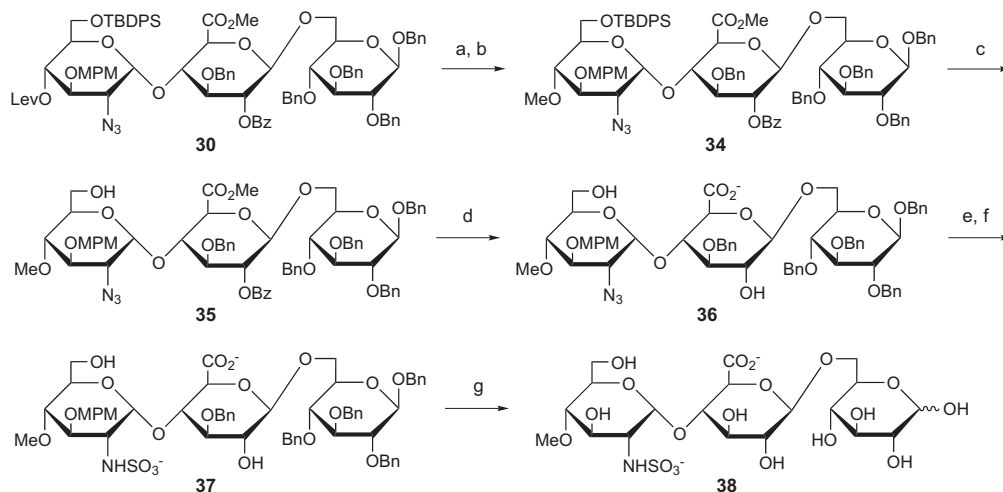


Scheme 5. Synthesis of trisaccharide **33**: (a) HF-pyridine in pyridine, 73%; (b) CCl_3CN , Cs_2CO_3 in CH_2Cl_2 ; (c) **29**, TMSOTf, MS4Ap in CH_2Cl_2 , 62% (two steps).

Selective sulfation and final deprotection were examined on trisaccharide **30**. The Lev group of trisaccharide **30** was selectively deprotected by hydrazine. The occurring hydroxyl group was masked with a methyl group as in our previous study.^{6a} After removal of the TBDPS group in compound **34**, the Bz group and methyl ester were hydrolyzed with NaOH. The azide group was then reduced with PMe_3 and the resulting amino group was *N*-sulfated. Finally, all benzylic protective groups were removed by hydrogenolysis using catalytic Pd/C to give the desired trisaccharide **38** (Scheme 6).

In conclusion, we have designed novel disaccharide building blocks for HP/HS oligosaccharide precursors, which possess orthogonally cleavable protective groups and are capable of generating diverse sulfation patterns. Two disaccharide building blocks were efficiently synthesized using appropriate monosaccharide

moieties. Syntheses of uronic acid moieties, which are key issues in the synthesis of HP/HS oligosaccharide, were efficiently prepared using inexpensive glucurono-6,3-lactone as a starting compound avoiding annoying oxidation processes. Selective pyranose formation was achieved using TIDPS group as protecting group at 1,2-position. Glucuronate **8** and iduronate **16** were synthesized in 14% (12 steps) and 5% (15 steps) overall yield from glucurono-6,3-lactone, respectively. In addition, we demonstrated the synthesis of sulfated trisaccharide **38**, which was achieved by selective deprotection and sulfation. Although further work will be needed to achieve such goals as sugar-chain elongation, sulfation at other positions, and deprotection, is required, various HP/HS oligosaccharides can be prepared by use of these designed disaccharide building blocks with minimal derivatization.



Scheme 6. Synthesis of sulfated trisaccharide containing HP/HS disaccharide partial structure: (a) $\text{H}_2\text{NNH}_2 \cdot \text{H}_2\text{O}$ in pyridine/AcOH (3/2), 89%; (b) MeI, LHMS in DMF, 85%; (c) HF-pyridine in pyridine, 95%; (d) 1 M NaOH aq in MeOH/THF (1:1); (e) 1 M PMe_3 , 0.1 M NaOH aq in THF/MeOH (1:1); (f) $\text{SO}_3 \cdot \text{pyridine}$, pH 9.5 in H_2O ; (g) 10% Pd/C, H_2 (7 kg/cm²) in $\text{H}_2\text{O}/\text{MeOH}/\text{AcOH}$ (5:5:1), 11% (four steps).

3. Experimental

3.1. General

^1H and ^{13}C NMR spectra were measured with a JEOL JMM-ECA600KS spectrometer. The chemical shifts in CDCl_3 are given in δ values from tetramethylsilane as an internal standard. For measurement in D_2O , the DHO signal (4.65 ppm) was used as a reference. Mass spectra were obtained on a micrOTOF IITM (Bruker Daltonics). Silica gel column chromatography was carried out using silica gel 60B (Fuji Silysia, 40–63 μm) at medium pressure (2–4 kg/cm^2). Precoated Kieselgel 60 F₂₅₄ (Merck) was used for thin layer chromatography (TLC). Sephadex G25 fine was used for gel filtration chromatography. All chemicals were commercial grade (Nacalai, Wako, TCI, Kanto, and Aldrich). MS4A powder was activated by heating at 350 °C in vacuo for 3 h before use.

3.2. 1,2-O-Isopropylidene- α -D-glucurono-6,3-lactone (2)

D-Glucurono-6,3-lactone **1** (40.0 g, 0.227 mol) was suspended in acetone (835 ml). H_2SO_4 (12.1 ml, 0.227 mol) was then added at room temperature. After being stirred for 38 h, the reaction mixture was neutralized with NaHCO_3 . After removal of insoluble materials by filtration, the filtrate was concentrated in vacuo. The residue was dissolved in AcOEt, and the resulting mixture was then washed with brine, dried over Na_2SO_4 , filtered, and concentrated in vacuo. Crystallization from AcOEt and hexane afforded isopropylidene **2** as a white solid. Yield 41.2 g (84%). ^1H NMR (600 MHz, CDCl_3) δ 6.00 (1H, d, $J_{1,2}=3.4$ Hz, H-1), 4.96 (1H, dd, $J_{4,3}=2.7$ Hz, $J_{4,5}=4.8$ Hz, H-4), 4.84–4.83 (2H, m, H-2, H-3), 4.51 (1H, d, $J_{5,4}=4.8$ Hz, H-5), 2.86 (1H, s, 5-OH), 1.53 (3H, s, CH_3), 1.36 (3H, s, CH_3); ^{13}C NMR (150 MHz, CDCl_3) δ 174.7, 113.6, 106.6, 82.9, 81.2, 77.9, 70.6, 26.9, 26.5; HRMS (positive mode) found: m/z 239.0536 $[\text{M}+\text{Na}]^+$, calcd for $\text{C}_9\text{H}_{12}\text{O}_6\text{Na}$: 239.0532.

3.3. Methyl 3-O-benzyl-1,2-O-isopropylidene- α -D-glucofuranosyluronate (3)

To a solution of compound **2** (56.9 g, 0.263 mol) in CH_2Cl_2 (400 ml) were added imidazole (35.8 g, 0.526 mol) and TBDMSCl (47.6 g, 0.316 mol) at room temperature. After being stirred for 7.5 h, the reaction was quenched with MeOH. The resulting mixture was washed with 1 M HCl aq, satd NaHCO_3 aq, and brine. The organic layer was dried over Na_2SO_4 , filtered, and concentrated in vacuo. The residue was then dissolved in MeOH (500 ml) and 1 M NaOMe in MeOH (39.4 ml, 39.4 mmol) was added at 0 °C. After being stirred for 3.5 h, the reaction mixture was neutralized with 1 M HCl aq and AcOEt was added. The organic layer was washed with 1 M HCl aq (2 \times), water and brine, dried over Na_2SO_4 , filtered, and concentrated in vacuo to give crude methyl 4-O-*tert*-butyldimethylsilyl-1,2-O-isopropylidene- α -D-glucofuranosyluronate. The crude product, benzylimidate (132 ml, 0.526 mol), and MS4A powder (50 g) were placed in 1000 ml round-bottom flask, and anhydrous CH_2Cl_2 (500 ml) was added at room temperature under Ar. After being stirred for 1 h, the reaction mixture was cooled to –30 °C and TBDMSOTf (7.86 ml, 34.2 mmol) was added at the same temperature. The reaction mixture was further stirred and gradually warmed to 0 °C. After 15 h, the reaction was quenched by the addition of EtOH. The resulting mixture was filtered through a Celite pad and the filtrate was concentrated in vacuo. The residue was dissolved in CH_2Cl_2 and the mixture was washed with water and brine. The organic layer was dried over Na_2SO_4 , filtered, and concentrated in vacuo to give crude methyl 3-O-benzyl-4-O-*tert*-butyldimethylsilyl-1,2-O-isopropylidene- α -D-glucofuranosyluronate. The crude product was then dissolved in THF (300 ml) and AcOH (15 ml). The mixture was cooled to –20 °C and 1 M TBAF in THF

(789 ml, 0.789 mol) was added to the mixture at the same temperature. After being stirred for 3 h, the mixture was concentrated in vacuo and diluted in AcOEt. The organic layer was washed with brine (3 \times), dried over Na_2SO_4 , filtered, and concentrated in vacuo. Flash chromatography (silica gel: 450 g, hexane/AcOEt=6:1 \rightarrow 2:1) afforded compound **3** as a brown oil. Yield 38.1 g (43%, four steps). ^1H NMR (600 MHz, CDCl_3) δ 7.38–7.31 (5H, m, aromatic), 6.04 (1H, d, $J_{1,2}=4.1$ Hz, H-1), 4.68 and 4.56 (each 1H, d, $J_{\text{gem}}=11.0$ Hz, PhCH_2), 4.64 (1H, d, $J_{2,1}=4.1$ Hz, H-2), 4.59 (1H, dd, $J_{5,4}=6.1$ Hz, $J_{5,\text{OH}}=8.9$ Hz, H-5), 4.42 (1H, dd, $J_{4,3}=3.4$ Hz, $J_{4,5}=6.1$ Hz, H-4), 4.16 (1H, d, $J_{3,4}=3.4$ Hz, H-3), 3.76 (3H, s, COOCH_3), 3.40 (1H, d, $J_{\text{OH},5}=8.9$ Hz, 5-OH), 1.50 (3H, s, CH_3), 1.36 (3H, s, CH_3); ^{13}C NMR (150 MHz, CDCl_3) δ 173.0, 136.5, 128.5, 128.4, 128.2, 128.2, 128.0, 112.1, 105.3, 83.1, 82.1, 79.6, 72.5, 69.8, 52.6, 26.8, 26.3; HRMS (positive mode) found: m/z 361.1268 $[\text{M}+\text{Na}]^+$, calcd for $\text{C}_{17}\text{H}_{22}\text{O}_7\text{Na}$: 361.1263.

3.4. Methyl 3-O-benzyl-D-glucofuranosyluronate (4)

Compound **3** (57.0 mg, 0.168 mmol) was dissolved in TFA/ H_2O (9:1, 1.0 ml) and stirred for 1.5 h at room temperature. After removal of volatiles, the toluene was added and azeotropically evaporated twice. Flash chromatography (silica gel: 2.5 g, toluene/acetone=3:1) afforded compound **4** as a brown solid. Yield 41.7 mg (83%, $\alpha/\beta=5:2$). ^1H NMR (600 MHz, CDCl_3) δ for α -anomer 7.43–7.35 (5H, m, aromatic), 5.43 (1H, s, H-1), 4.86 and 4.75 (each 1H, d, $J_{\text{gem}}=11.5$ Hz, PhCH_2), 4.49 (1H, d, $J_{5,4}=7.5$ Hz, H-5), 4.00 (1H, dd, $J_{4,3}=6.8$ Hz, $J_{4,5}=7.5$ Hz, H-4), 3.89–3.73 (5H, m, H-2, H-3, COOCH_3); ^{13}C NMR (150 MHz, CDCl_3) δ for α -anomer 170.7, 137.9, 128.5, 127.9, 127.9, 91.4, 78.7, 74.2, 72.4, 70.5, 70.3, 52.5; HRMS (positive mode) found: m/z 361.0960 $[\text{M}+\text{Na}]^+$, calcd for $\text{C}_{17}\text{H}_{22}\text{O}_7\text{Na}$: 321.0950.

3.5. Methyl 3-O-benzyl-1,2-O-(1,1,3,3-tetraisopropylidisiloxanylidene)-D-glucofuranosyluronate (5)

To a suspension of compound **4** (136 mg, 0.455 mmol), TIPDSCl₂ (218 μl , 0.683 mmol), and MS4AP (500 mg) in anhydrous DMF (4.5 ml) was added imidazole (124 mg, 1.82 mmol) at room temperature under Ar. After being stirred for 19 h, the reaction was quenched by the addition of MeOH. The resulting mixture was diluted with AcOEt. The organic layer was washed with water, and brine, dried over Na_2SO_4 , filtered, and concentrated in vacuo. Flash chromatography (silica gel: 450 g, hexane/EtOAc=8:1 \rightarrow 4:1) afforded compound **5** as a colorless oil. Yield 211 mg (85%, $\alpha/\beta=5:3$). ^1H NMR (600 MHz, CDCl_3) δ for α -anomer 7.37–7.23 (5H, m, aromatic), 5.58 (1H, s, H-1), 4.88 and 4.72 (each 1H, d, $J_{\text{gem}}=11.5$ Hz, PhCH_2), 4.50 (1H, d, $J_{5,4}=8.2$ Hz, H-5), 4.06 (1H, d, $J_{2,3}=8.2$ Hz, H-2), 3.87 (1H, dd, $J_{4,3}=8.2$ Hz, $J_{4,5}=8.2$ Hz, H-4), 3.77 (3H, s, COOCH_3), 3.76 (1H, dd, $J_{3,2}=8.2$ Hz, $J_{3,4}=8.2$ Hz, H-3), 2.70 (1H, s, 4-OH), 1.11–1.03 (28H, m, $-\text{Si}(\text{i-Pr})_2-\times 2$); ^{13}C NMR (150 MHz, CDCl_3) δ for α -anomer 170.4, 128.4, 128.1, 128.0, 127.8, 127.8, 127.8, 92.7, 80.3, 75.1, 74.7, 74.5, 72.3, 52.5, 17.4, 17.3, 17.2, 17.2, 17.1, 17.0, 17.0, 13.1, 13.1, 12.8, 12.8; HRMS (positive mode) found: m/z 563.2477 $[\text{M}+\text{Na}]^+$, calcd for $\text{C}_{26}\text{H}_{44}\text{O}_8\text{Si}_2\text{Na}$: 563.2472.

3.6. Methyl 3-O-benzyl-4-O-levulinyl-1,2-O-(1,1,3,3-tetraisopropylidisiloxanylidene)-D-glucofuranosyluronate (6)

Compound **5** (21.4 g, 39.5 mmol) was dissolved in CH_2Cl_2 (200 ml) under Ar. LevOH (6.08 ml, 59.4 mmol), EDC·HCl (9.21 g, 59.4 mmol), and DMAP (7.25 g, 59.4 mmol) were then added at room temperature. After being stirred for 8.5 h, the reaction was quenched by the addition of water. The organic layer was washed with satd NaHCO_3 aq, 1 M HCl aq, and brine, dried over Na_2SO_4 , filtered, and concentrated in vacuo. Flash chromatography (silica gel: 450 g, hexane/EtOAc=8:1 \rightarrow 2:1) afforded compound **6** as a colorless oil. Yield 21.1 g (84%, $\alpha/\beta=5:3$). ^1H NMR (600 MHz,

CDCl_3) δ for α -anomer 7.35–7.27 (5H, m, aromatic), 5.58 (1H, d, $J_{1,2}=3.4$ Hz, H-1), 5.05 (1H, dd, $J_{4,3}=9.5$ Hz, $J_{4,5}=10.1$ Hz, H-4), 4.89 and 4.68 (each 1H, d, $J_{\text{gem}}=11.5$ Hz, PhCH_2), 4.47 (1H, d, $J_{5,4}=10.1$ Hz, H-5), 4.14 (1H, dd, $J_{2,1}=3.4$ Hz, $J_{2,3}=8.8$ Hz, H-2), 3.84 (1H, dd, $J_{3,2}=8.8$ Hz, $J_{3,4}=9.5$ Hz, H-3), 3.72 (3H, s, COOCH_3), 2.66–2.58 (2H, m, $\text{CH}_3\text{C}(=\text{O})\text{C}_2\text{H}_4\text{C}(=\text{O})-$), 2.49–2.31 (2H, m, $\text{CH}_3\text{C}(=\text{O})\text{C}_2\text{H}_4\text{C}(=\text{O})-$), 2.15 (3H, s, $\text{CH}_3\text{C}(=\text{O})\text{C}_2\text{H}_4\text{C}(=\text{O})-$), 1.17–0.91 (28H, m, $-\text{Si}(i\text{-Pr})_2-\times 2$); ^{13}C NMR (150 MHz, CDCl_3) δ for α -anomer 206.0, 171.6, 167.7, 138.4, 128.2, 128.2, 128.0, 127.7, 127.5, 92.7, 79.3, 76.1, 75.4, 74.9, 68.9, 52.8, 37.6, 29.8, 27.6, 17.4, 17.3, 17.2, 17.0, 17.0, 16.9, 14.3, 12.7, 12.7, 12.2; HRMS (positive mode) found: m/z 661.2837 $[\text{M}+\text{Na}]^+$, calcd for $\text{C}_{26}\text{H}_{44}\text{O}_8\text{Si}_2\text{Na}$: 661.2840.

3.7. Methyl (tert-butyltrimethylsilyl 2-O-benzoyl-3-O-benzyl-4-O-levulinyl- β -D-glucopyranosyl)uronate (7)

Compound **6** (2.02 g, 3.16 mmol) was dissolved in THF (10 ml) and AcOH (181 μl , 3.16 mmol) was added at room temperature. A solution of TBAF in THF (6.32 ml, 1 M, 6.32 mmol) was then added. The reaction mixture was stirred for 2 h and diluted with CHCl_3 . The organic layer was washed with H_2O , satd NaHCO_3 aq, and brine, dried over Na_2SO_4 , filtered, and concentrated in vacuo. The residue was then dissolved in CH_2Cl_2 (10 ml) and TBDMSCl (715 ml, 4.74 mmol) and MS4AP (1.0 g) were added at room temperature under Ar. After 1 h, imidazole (645 mg, 9.48 mmol) was then added. The reaction mixture was stirred for 19 h at -25°C and gradually warmed to 0°C and further stirred for 2 h. The reaction was quenched by the addition of MeOH and filtered through a Celite pad. The filtrate was washed with H_2O and brine, dried over Na_2SO_4 , filtered, and concentrated in vacuo. The residue was then dissolved in pyridine (10 ml) and BzCl (550 μl , 4.74 mmol) was added at room temperature under Ar. After 13 h, the reaction was quenched by the addition of MeOH and the resulting mixture was diluted with AcOEt. The organic layer was washed with 1 M HCl aq, satd NaHCO_3 aq, and brine, dried over Na_2SO_4 , filtered, and concentrated in vacuo. Flash chromatography (silica gel: 100 g, toluene/EtOAc=10:1 \rightarrow 6:1) afforded compound **7** as a white solid. Yield 1.51 g (78%, three steps). ^1H NMR (600 MHz, CDCl_3) δ 7.99 (2H, d, $J=8.1$ Hz, Bz), 7.99–7.12 (8H, m, aromatic), 5.33 (1H, dd, $J_{4,3}=9.5$ Hz, $J_{4,5}=9.5$ Hz, H-4), 5.31 (1H, dd, $J_{2,1}=7.4$ Hz, $J_{2,3}=9.5$ Hz, H-2), 4.84 (1H, d, $J_{1,2}=7.4$ Hz, H-1), 4.65 and 4.61 (each 1H, d, $J_{\text{gem}}=11.5$ Hz, PhCH_2), 4.01 (1H, d, $J_{5,4}=9.5$ Hz, H-5), 3.89 (1H, dd, $J_{3,2}=9.5$ Hz, $J_{3,4}=9.5$ Hz, H-3), 3.75 (3H, s, COOCH_3), 2.71–2.66 (2H, m, $\text{CH}_3\text{C}(=\text{O})\text{C}_2\text{H}_4\text{C}(=\text{O})-$), 2.59–2.44 (2H, m, $\text{CH}_3\text{C}(=\text{O})\text{C}_2\text{H}_4\text{C}(=\text{O})-$), 2.17 (3H, s, $\text{CH}_3\text{C}(=\text{O})\text{C}_2\text{H}_4\text{C}(=\text{O})-$), 0.74 (9H, s, $\text{C}(\text{CH}_3)_3$), 0.09 (3H, s, CH_3), 0.00 (3H, s, CH_3); ^{13}C NMR (150 MHz, CDCl_3) δ 206.1, 171.3, 167.6, 164.7, 137.5, 133.1, 129.7, 129.6, 128.3, 128.2, 128.1, 127.9, 127.6, 96.0, 78.8, 74.5, 73.6, 72.7, 71.3, 52.8, 37.6, 29.8, 29.8, 27.6, 25.2, -4.3 , -5.5 ; HRMS (positive mode) found: m/z 637.2445 $[\text{M}+\text{Na}]^+$, calcd for $\text{C}_{32}\text{H}_{42}\text{O}_{10}\text{SiNa}$: 637.2445.

3.8. Methyl (tert-butyltrimethylsilyl 2-O-benzoyl-3-O-benzyl- β -D-glucopyranosyl)uronate (8)

Compound **7** (2.60 g, 4.23 mmol) was dissolved in pyridine/AcOH (3:2, 10 ml) and hydrazine monohydrate (308 μl , 6.34 mmol) was added at room temperature. After 1.5 h, the reaction was quenched by the addition of acetone and the resulting mixture was diluted with AcOEt. The organic layer was washed with 1 M HCl aq, satd NaHCO_3 aq, and brine, dried over Na_2SO_4 , filtered, and concentrated in vacuo. Flash chromatography (silica gel: 100 g, hexane/EtOAc=3:1) afforded compound **8** as a white solid. Yield 1.80 g (83%). ^1H NMR (600 MHz, CDCl_3) δ 7.99 (2H, d, $J=7.4$ Hz, Bz), 7.57–7.14 (8H, m, aromatic), 5.22 (1H, dd, $J_{2,1}=7.4$ Hz, $J_{2,3}=9.5$ Hz, H-2), 4.81 (1H, d, $J_{1,2}=7.4$ Hz, H-1), 4.79 and 4.75 (each 1H, d,

$J_{\text{gem}}=11.5$ Hz, PhCH_2), 4.09 (1H, ddd, $J_{4,3}=8.8$ Hz, $J_{4,5}=9.5$ Hz, $J_{4,\text{OH}}=2.0$ Hz, H-4), 3.91 (1H, d, $J_{5,4}=9.5$ Hz, H-5), 3.83 (3H, s, COOCH_3), 3.71 (1H, dd, $J_{3,2}=9.5$ Hz, $J_{3,4}=8.8$ Hz, H-3), 3.18 (1H, d, $J_{\text{OH},4}=2.0$ Hz, 4-OH), 1.03 (9H, s, $\text{C}(\text{CH}_3)_3$), 0.08 (3H, s, CH_3), 0.01 (3H, s, CH_3); ^{13}C NMR (150 MHz, CDCl_3) δ 169.9, 169.9, 133.0, 129.8, 129.6, 129.6, 128.5, 128.2, 128.2, 128.0, 128.0, 127.8, 127.6, 127.6, 96.3, 80.4, 74.5, 74.2, 74.0, 72.1, 52.7, 25.5, 25.3, 25.2, 17.3, -4.4 , -5.5 ; HRMS (positive mode) found: m/z 539.2078 $[\text{M}+\text{Na}]^+$, calcd for $\text{C}_{27}\text{H}_{36}\text{O}_8\text{SiNa}$: 539.2077.

3.9. Methyl 3-O-benzyl-1,2-O-isopropylidene- α -L-idofuranosyluronate (10)

Compound **8** (50.0 mg, 0.159 mmol) was dissolved in CH_2Cl_2 (3 ml) and pyridine (50.0 μl , 0.319 mmol) was added at room temperature under Ar. The mixture was cooled to -20°C and a solution of Tf_2O (50.0 μl , 0.638 mmol) in CH_2Cl_2 (2.0 ml) was then added dropwise over 20 min at the same temperature. After being stirred for 2 h, the reaction mixture was transferred into separating funnel. The organic layer was washed with satd NaHCO_3 aq, 3% HCl aq, and brine, dried over Na_2SO_4 , filtered, and concentrated in vacuo. The residue was then dissolved in anhydrous DMF (5 ml) and LevONa (43.0 mg, 0.319 mmol) was added at room temperature under Ar. After being stirred for 4 h, the reaction mixture was diluted with AcOEt. The organic layer was washed with water (2 \times) and brine, dried over Na_2SO_4 , filtered, and concentrated in vacuo. The residue was then dissolved in pyridine/AcOH (3:2, 5 ml) and cooled to 0°C . After addition of hydrazine monohydrate (35.0 μl , 0.738 mmol) at the same temperature, the reaction mixture was stirred for 0.5 h. The reaction was quenched by the addition of acetone and the resulting mixture was diluted with AcOEt. The organic layer was washed with satd NaHCO_3 aq (3 \times), 10% HCl aq (2 \times), water, and brine, dried over Na_2SO_4 , filtered, and concentrated in vacuo. Flash chromatography (silica gel: 5 g, hexane/EtOAc=9:1 \rightarrow 8:1) afforded compound **10** as a colorless oil. Yield 27.9 mg (56%, three steps). ^1H NMR (600 MHz, CDCl_3) δ 7.38–7.27 (5H, m, aromatic), 6.02 (1H, d, $J_{1,2}=4.1$ Hz, H-1), 4.74 and 4.53 (each 1H, d, $J_{\text{gem}}=11.6$ Hz, PhCH_2), 4.68 (1H, d, $J_{2,1}=4.1$ Hz, H-2), 4.54–4.52 (3H, m, H-4, H-5), 4.20 (1H, d, $J_{3,4}=4.1$ Hz, H-3), 3.75 (3H, s, $-\text{COOCH}_3$), 3.35 (1H, d, $J_{\text{OH},5}=2.7$ Hz, 5-OH), 1.49 (3H, s, CH_3), 1.35 (3H, s, CH_3); ^{13}C NMR (150 MHz, CDCl_3) δ 171.9, 136.6, 128.5, 128.5, 128.2, 127.9, 127.8, 112.5, 105.1, 82.9, 82.9, 80.1, 72.3, 69.8, 52.7, 27.0, 26.5; HRMS (positive mode) found: m/z 361.1242 $[\text{M}+\text{Na}]^+$, calcd for $\text{C}_{17}\text{H}_{22}\text{O}_7\text{Na}$: 361.1263.

3.10. Methyl 3-O-benzyl-L-idopyranosyluronate (11)

Compound **10** (46.8 mg, 0.138 mmol) was dissolved in TFA/ H_2O (9:1, 1.0 ml) and stirred for 2 h at room temperature. After removal of volatiles, toluene was added and azeotropically evaporated twice. Flash chromatography (silica gel: 5 g, toluene/acetone=3:1 \rightarrow 1:1) afforded compound **11** as a brown solid. Yield 39.1 mg (95%). ^1H NMR (600 MHz, CDCl_3) δ for β -anomer of pyranose form 7.39–7.30 (5H, m, aromatic), 5.08 (1H, s, H-1), 4.64 (2H, s, PhCH_2), 4.58 (1H, s, H-5), 4.05 (1H, s, H-4), 3.97 (1H, s, H-3), 3.86 (1H, s, H-2), 3.80 (3H, s, COOCH_3); ^{13}C NMR (150 MHz, CDCl_3) δ for β -anomer 170.4, 137.2, 128.5, 128.1, 127.6, 93.1, 75.3, 74.3, 72.3, 67.5, 67.2, 52.6; HRMS (positive mode) found: m/z 321.0947 $[\text{M}+\text{Na}]^+$, calcd for $\text{C}_{14}\text{H}_{18}\text{O}_7\text{Na}$: 321.0950.

3.11. Methyl 3-O-benzyl-1,2-O-(1,1,3,3-tetraisopropylidisiloxanylidene)- α -L-idopyranosyluronate (12)

To a suspension of compound **11** (12.5 g, 41.9 mmol), TIPDSCl₂ (20.1 ml, 62.9 mmol), and MS4AP (20 g) in anhydrous acetonitrile (200 ml) was added imidazole (11.4 g, 0.168 mol) at -45°C under

Ar. After being stirred for 41 h, volatiles were removed in vacuo. Flash chromatography (silica gel: toluene/EtOAc=100:1 → 30:1) afforded compound **12** as a yellow oil. Yield 17.7 g (78%). ¹H NMR (600 MHz, CDCl₃) δ for α-anomer 7.37–7.30 (5H, m, aromatic), 5.23 (1H, s, H-1), 4.71 and 4.58 (each 1H, d, *J*_{gem}=12.2 Hz, PhCH₂), 4.58 (1H, d, *J*_{5,4}=1.3 Hz, H-5), 4.50 (1H, dd, *J*_{4,5}=1.3 Hz, *J*_{4,OH}=12.2 Hz, H-4), 3.91 (1H, d, *J*_{2,3}=3.4 Hz, H-2), 3.88 (1H, d, *J*_{3,2}=3.4 Hz, H-3), 3.88 (1H, d, *J*_{OH,4}=12.2 Hz, 4-OH), 3.79 (3H, s, COOCH₃), 1.04–1.01 (28H, m, –Si(*i*-Pr)₂–×2); ¹³C NMR (150 MHz, CDCl₃) δ 169.1, 137.2, 129.7, 128.5, 128.1, 127.6, 127.6, 95.5, 76.6, 75.7, 72.3, 71.4, 67.5, 52.0, 17.3, 17.3, 17.2, 17.1, 17.1, 17.0, 17.0, 16.9, 14.5, 12.6, 12.2, 12.0; HRMS (positive mode) found: *m/z* 563.2472 [M+Na]⁺, calcd for C₂₆H₄₄O₈Na: 563.2472.

3.12. Methyl 3-*O*-benzyl-4-*O*-levulinyl-1,2-*O*-(1,1,3,3-tetraisopropylidisiloxanylidene)-α-*L*-idopyranosyluronate (**13**)

To a solution of compound **12** (7.31 g, 13.5 mmol) in anhydrous DMF (50 ml) were added LevOH (5.54 ml, 54.1 mmol), EDC·HCl (6.23 g, 54.1 mmol), DMAP (6.61 g, 54.1 mmol), and Et₃N (7.54 ml, 54.1 mmol) at room temperature. The reaction mixture was stirred for 24 h and the reaction was quenched by the addition of MeOH. After addition of AcOEt, the organic layer was washed with water (2×) and brine, dried over Na₂SO₄, filtered, and concentrated in vacuo. Flash chromatography (silica gel: 450 g, hexane/EtOAc=4:1 → 2:1) afforded compound **13** as a colorless oil. Yield 5.92 g (68%). ¹H NMR (600 MHz, CDCl₃) δ 7.37–7.30 (5H, m, aromatic), 5.18 (1H, s, H-1), 5.09 (1H, dd, *J*_{4,3}=2.7 Hz, *J*_{4,5}=2.7 Hz, H-4), 4.80 and 4.64 (each 1H, d, *J*_{gem}=12.2 Hz, PhCH₂), 4.65 (1H, d, *J*_{5,4}=2.7 Hz, H-5), 3.88 (1H, dd, *J*_{3,2}=2.7 Hz, *J*_{2,3}=2.7 Hz, H-3), 3.81 (1H, d, *J*_{2,3}=2.7 Hz, H-2), 3.77 (3H, s, COOCH₃), 2.78–2.62 (3H, m, CH₃C(=O)C₂H₄C(=O)–), 2.53–2.50 (1H, m, CH₃C(=O)C₂H₄C(=O)–), 2.17 (3H, s, CH₃C(=O)C₂H₄C(=O)–), 1.04–1.01 (28H, m, –Si(*i*-Pr)₂–×2); ¹³C NMR (150 MHz, CDCl₃) δ 206.2, 172.0, 168.0, 137.3, 128.4, 128.4, 127.9, 127.7, 127.7, 96.0, 76.0, 73.2, 72.6, 70.3, 67.4, 52.1, 37.7, 29.6, 27.9, 17.3, 17.3, 17.3, 17.1, 17.1, 17.0, 14.4, 12.7, 12.5, 12.4; HRMS (positive mode) found: *m/z* 661.2820 [M+Na]⁺, calcd for C₃₁H₅₀O₁₀Si₂Na: 661.2840.

3.13. Methyl 3-*O*-benzyl-4-*O*-levulinyl-*L*-idopyranosyluronate (**14**)

Compound **13** (9.43 g, 14.7 mmol) was dissolved in THF (150 ml) and AcOH (4.22 ml, 73.8 mmol) was added at room temperature. A solution of TBAF in THF (29.5 ml, 1 M, 29.5 mol) was then added. After being stirred for 2.5 h, the reaction mixture was diluted with AcOEt. The organic layer was washed with H₂O, satd NaHCO₃ aq, and brine, dried over Na₂SO₄, filtered, and concentrated in vacuo. Flash chromatography (silica gel: 300 g, toluene/EtOAc=10:1 → 1:1) afforded compound **14** as a colorless oil. Yield 5.28 g (90%, α/β=1:2). ¹H NMR (600 MHz, CDCl₃) δ for α-anomer 7.39–7.17 (5H, m, aromatic), 5.24 (1H, s, H-4), 5.04 (1H, d, *J*_{1,OH}=5.4 Hz, H-1), 4.75 and 4.65 (each 1H, d, *J*_{gem}=11.5 Hz, PhCH₂), 4.68 (1H, s, H-5), 4.12 (1H, d, *J*_{OH,1}=5.4 Hz, OH), 3.95 (1H, s, H-3), 3.79 (3H, s, COOCH₃), 3.68 (1H, s, H-2), 2.78–2.72 (2H, m, CH₃C(=O)C₂H₄C(=O)–), 2.55–2.52 (2H, m, CH₃C(=O)C₂H₄C(=O)–), 2.19 (3H, s, CH₃C(=O)C₂H₄C(=O)–); ¹³C NMR (150 MHz, CDCl₃) δ for α-anomer 206.6, 171.1, 168.0, 136.8, 128.5, 128.2, 127.7, 93.0, 74.3, 72.7, 72.4, 68.0, 67.8, 52.6, 37.9, 29.6, 27.8; HRMS (positive mode) found: *m/z* 419.1319 [M+Na]⁺, calcd for C₁₉H₂₄O₉Na: 419.1318.

3.14. Methyl (*tert*-butyldimethylsilyl 2-*O*-benzoyl-3-*O*-benzyl-4-*O*-levulinyl-β-*L*-idopyranosyluronate (**15**)

Compound **14** (5.18 g, 13.0 mmol) was dissolved in CH₂Cl₂ (100 ml) and TBDMSCl (3.93 g, 26.1 mmol) and MS4AP (10 g) were

added at room temperature under Ar. Imidazole (2.67 g, 39.2 mmol) was then added to the mixture and the reaction mixture was stirred at –20 °C. After being stirred for 3 h, the reaction mixture was warm to room temperature and further stirred for 3.5 h. The reaction was quenched by addition of MeOH and the resulting mixture was filtered through Celite pad. The filtrate was washed with H₂O and brine, dried over Na₂SO₄, filtered, and concentrated in vacuo. The residue was dissolved in pyridine (50 ml) and BzCl (3.03 ml, 26.1 mmol) and DMAP (639 mg, 5.23 mmol) were added at room temperature under Ar. After 19 h, the reaction was quenched by the addition of MeOH and the resulting mixture was diluted with AcOEt. The organic layer was washed with 1 M HCl aq (2×), satd NaHCO₃ aq, and brine, dried over Na₂SO₄, filtered, and concentrated in vacuo. Flash chromatography (silica gel: 400 g, toluene/EtOAc=80:1) afforded compound **15** as a colorless oil. Yield 5.25 g (65%, two steps). ¹H NMR (600 MHz, CDCl₃) δ 8.12 (2H, d, *J*=8.1 Hz, Bz), 7.57–7.16 (8H, m, aromatic), 5.23 (1H, s, H-1), 5.22 (1H, s, H-4), 5.19 (1H, s, H-2), 4.81 and 4.77 (each 1H, d, *J*_{gem}=11.5 Hz, PhCH₂), 4.68 (1H, s, H-5), 4.00 (1H, s, H-3), 3.81 (3H, s, COOCH₃), 2.58–2.55 (2H, m, CH₃C(=O)C₂H₄C(=O)–), 2.48–2.28 (2H, m, CH₃C(=O)C₂H₄C(=O)–), 2.05 (3H, s, CH₃C(=O)C₂H₄C(=O)–), 0.80 (9H, s, C(CH₃)₃), 0.14 (3H, s, CH₃), 0.09 (3H, s, CH₃); ¹³C NMR (150 MHz, CDCl₃) δ 205.8, 171.7, 167.8, 165.6, 133.1, 129.9, 129.8, 128.5, 128.2, 128.1, 127.7, 93.1, 73.9, 72.9, 72.3, 68.0, 67.0, 52.3, 37.6, 29.5, 29.5, 27.8, 25.5, –4.0, –5.2; HRMS (positive mode) found: *m/z* 637.2445 [M+Na]⁺, calcd for C₃₂H₄₂O₁₀SiNa: 637.2445.

3.15. Methyl (*tert*-butyldimethylsilyl 2-*O*-benzoyl-3-*O*-benzyl-β-*L*-idopyranosyluronate (**16**)

Compound **15** (64.6 mg, 0.104 mmol) was dissolved in pyridine/AcOH (3:2, 1 ml) and hydrazine monohydrate (7.60 μl, 0.157 mmol) was added at room temperature. After 5 h, the reaction was quenched by addition of acetone and the resulting mixture was diluted with AcOEt. The organic layer was washed with 1 M HCl aq, satd NaHCO₃ aq, and brine, dried over Na₂SO₄, filtered, and concentrated in vacuo. Flash chromatography (silica gel: 5 g, toluene/EtOAc=50:1 → 30:1) afforded compound **16** as a colorless oil. Yield 48.5 mg (89%). ¹H NMR (600 MHz, CDCl₃) δ 8.00 (2H, d, *J*=7.4 Hz, Bz), 7.59–7.16 (8H, m, aromatic), 5.28 (1H, d, *J*_{2,3}=2.7 Hz, H-2), 5.25 (1H, s, H-1), 4.77 and 4.73 (each 1H, d, *J*_{gem}=11.5 Hz, PhCH₂), 4.61 (1H, d, *J*_{5,4}=2.0 Hz, H-5), 4.06 (1H, dd, *J*_{4,5}=2.0 Hz, *J*_{4,OH}=11.5 Hz, H-4), 3.99 (1H, d, *J*_{3,2}=2.7 Hz, H-3), 3.82 (3H, s, COOCH₃), 3.08 (1H, d, *J*_{OH,4}=11.5 Hz, OH), 0.80 (9H, s, C(CH₃)₃), 0.14 (3H, s, CH₃), 0.08 (3H, s, CH₃); ¹³C NMR (150 MHz, CDCl₃) δ 169.0, 165.4, 137.0, 133.3, 129.7, 129.4, 128.5, 128.4, 128.1, 127.8, 93.1, 75.9, 74.1, 72.6, 69.4, 67.8, 52.2, 25.4, –4.1, –5.3; HRMS (positive mode) found: *m/z* 539.2077 [M+Na]⁺, calcd for C₂₇H₃₆O₈SiNa: 539.2077.

3.16. 4-*tert*-Butylphenyl 3,4,6-tri-*O*-acetyl-2-azido-2-deoxy-1-thio-*D*-glucopyranoside (**19**)

Compound **18** (5.17 g, 13.8 mmol), 4-*tert*-butylthiophenol (9.56 ml, 55.4 mmol), and MSAW300 (10 g) were suspended in anhydrous CH₂Cl₂ (100 ml) under Ar. After being stirred for 0.5 h, the mixture was cooled to 0 °C. TBDMSOTf (5.00 ml, 27.7 mmol) was added at the same temperature. The reaction mixture was gradually warmed to room temperature and stirred for 3 days. The reaction mixture was further stirred for 1 day at 60 °C and the reaction was quenched by the addition of water. The resulting mixture was filtered through Celite pad. The filtrate was washed with water, satd NaHCO₃ aq, and brine, dried over Na₂SO₄, filtered, and concentrated in vacuo. Flash chromatography (silica gel: 300 g, hexane/AcOEt=8:1 → 2:1) afforded compound **18** as a brown oil: 4.82 g (73%, α/β=4:1). ¹H NMR (600 MHz, CDCl₃) δ for α-anomer

7.42–7.33 (4H, m, aromatic), 5.59 (1H, d, $J_{1,2}=5.4$ Hz, H-1), 5.35 (1H, dd, $J_{3,2}=9.5$ Hz, $J_{3,4}=10.2$ Hz, H-3), 5.06 (1H, dd, $J_{4,3}=10.2$ Hz, $J_{4,5}=8.8$ Hz, H-4), 4.65–4.62 (1H, m, H-5), 4.32 (1H, dd, $J_{6a,6b}=12.9$ Hz, $J_{6a,5}=5.4$ Hz, H-6a), 4.08–4.03 (2H, m, H-2, H-6b), 2.10 (3H, s, CH_3), 2.06 (3H, s, CH_3), 2.04 (3H, s, CH_3), 1.30 (9H, s, $C(CH_3)_3$); ^{13}C NMR (150 MHz, $CDCl_3$) δ for α -anomer 170.5, 169.8, 152.3, 134.3, 132.4, 128.6, 126.3, 86.7, 72.0, 68.6, 68.3, 61.8, 61.5, 34.5, 31.1, 20.6, 20.6, 20.6; HRMS (positive mode) found: m/z 502.1631 $[M+Na]^+$, calcd for $C_{22}H_{29}N_3O_7SiNa$: 502.1624.

3.17. 4-*tert*-Butylphenyl 2-azido-2-deoxy-4,6-*O*-isopropylidene-1-thio- β -D-glucopyranoside (20)

To a solution of compound **19** (49.5 g, 0.103 mol) in methanol (400 ml) was added 1 M NaOMe in MeOH (100 ml, 0.100 mol) at room temperature. After 3 h, the reaction was quenched by addition of Dowex 50W (H^+). After removal of insoluble materials by filtration, the filtrate was concentrated in vacuo. The residue was then dissolved in acetone (400 ml) and 2-methoxypropene (29.6 ml, 0.309 mmol) and CSA (7.19 g, 30.9 mmol) were added at room temperature under Ar. After 12 h, AcOEt was added. The organic layer was washed with water and brine, dried over Na_2SO_4 , filtered, and concentrated in vacuo. Flash chromatography (silica gel: 450 g, hexane/EtOAc=10:1 \rightarrow 3:1) afforded compound **20** as a brown oil. Yield 29.8 g (74%, two steps, $\alpha/\beta=5:1$). 1H NMR (600 MHz, $CDCl_3$) δ for α -anomer 7.42–7.34 (4H, m, aromatic), 5.50 (1H, d, $J_{1,2}=5.4$ Hz, H-1), 4.25–4.21 (1H, m, H-5), 3.94 (1H, dd, $J_{3,2}=9.5$ Hz, $J_{3,4}=8.8$ Hz, H-3), 3.88–3.83 (2H, m, H-2, H-6a), 3.77 (1H, d, $J_{6b,6a}=10.8$ Hz, H-6b), 3.62 (1H, dd, $J_{4,3}=8.8$ Hz, $J_{4,5}=9.5$ Hz, H-4), 2.70 (1H, s, 3-OH), 1.52 (3H, s, CH_3), 1.46 (3H, s, CH_3), 1.30 (9H, s, $C(CH_3)_3$); ^{13}C NMR (150 MHz, $CDCl_3$) δ for α -anomer 151.3, 132.6, 132.1, 126.2, 100.1, 88.0, 74.3, 70.9, 64.2, 64.0, 61.9, 34.5, 31.1, 28.9, 19.1; HRMS (positive mode) found: m/z 416.1628 $[M+Na]^+$, calcd for $C_{19}H_{27}N_3O_4SiNa$: 416.1620.

3.18. 4-*tert*-Butylphenyl 2-azido-2-deoxy-3-*O*-(4-methoxybenzyl)-1-thio- β -D-glucopyranoside (21)

To a solution of compound **20** (120 mg, 0.304 mmol) in anhydrous DMF (5 ml) were added MPMCl (82.7 μ l, 0.610 mmol) and NaH (18.3 mg, 0.762 mmol) at 0 °C under Ar. The reaction mixture was stirred and gradually warmed to room temperature. After 4.5 h, the reaction was quenched by addition of methanol and the reaction mixture was diluted with AcOEt. The organic layer was washed with water and brine, dried over Na_2SO_4 , filtered, and concentrated in vacuo. The residue was then dissolved in CH_2Cl_2 (1 ml) and AcOH/ H_2O (8:1, 9 ml) was added at room temperature. After 4 h, the reaction was quenched by the addition of 1 M NaOH aq. The organic layer was washed with 1 M NaOH aq (2 \times), and brine, dried over Na_2SO_4 , filtered, and concentrated in vacuo. Flash chromatography (silica gel: 5 g, hexane/EtOAc=1:1) afforded compound 4-*tert*-butylphenyl 2-azido-2-deoxy-4,6-*O*-isopropylidene-3-*O*-(4-methoxybenzyl)-1-thio- β -D-glucopyranoside as a brown oil. Yield 108 mg (75%, two steps, $\alpha/\beta=4:1$). 1H NMR (600 MHz, $CDCl_3$) δ for α -anomer 7.44–7.29 (6H, m, aromatic), 6.90 (2H, d, $J=8.8$ Hz, MPM), 5.51 (1H, d, $J_{1,2}=5.4$ Hz, H-1), 4.94 and 4.69 (each 1H, d, $J_{gem}=11.5$ Hz, $PhCH_2$), 4.24 (1H, dd, $J_{3,2}=8.8$ Hz, $J_{3,4}=8.1$ Hz, H-3), 3.87–3.78 (6H, m, H-2, H-6a, H-6b, OCH_3), 3.64–3.61 (2H, m, H-4, H-5), 1.30 (9H, s, $C(CH_3)_3$); ^{13}C NMR (150 MHz, $CDCl_3$) δ for α -anomer 151.4, 132.6, 129.8, 126.2, 114.1, 87.3, 81.1, 72.1, 70.8, 63.7, 62.0, 55.2, 34.5, 31.1; HRMS (positive mode) found: m/z 496.1886 $[M+Na]^+$, calcd for $C_{24}H_{31}N_3O_5SiNa$: 496.1882.

3.19. 4-*tert*-Butylphenyl 2-azido-6-*O*-*tert*-butyldiphenylsilyl-2-deoxy-4-*O*-levulinyl-3-*O*-(4-methoxybenzyl)-1-thio- β -D-glucopyranoside (22)

To a solution of compound 4-*tert*-butylphenyl 2-azido-2-deoxy-4,6-*O*-isopropylidene-3-*O*-(4-methoxybenzyl)-1-thio- β -D-glucopyranoside (12.2 g, 25.7 mmol) in anhydrous DMF (100 ml) were added TBDPSCl (9.92 ml, 38.6 mmol) and imidazole (5.26 g, 7.73 mmol) at room temperature under Ar. After 5 h, the reaction was quenched by addition of methanol and the mixture was diluted with AcOEt. The organic layer was washed with water and brine, dried over Na_2SO_4 , filtered, and concentrated in vacuo. The residue was then dissolved in anhydrous DMF (120 ml) and LevOH (10.5 ml, 0.103 mol), EDC·HCl (11.9 g, 77.2 mmol), and DMAP (9.44 g, 77.2 mmol) were added at room temperature under Ar. After 26 h, the reaction was quenched by the addition of MeOH and the mixture was diluted with AcOEt. The organic layer was washed with water and brine, dried over Na_2SO_4 , filtered, and concentrated in vacuo. Flash chromatography (silica gel: 450 g, hexane/EtOAc=8:1 \rightarrow 3:1) afforded compound **22** as a brown oil. Yield 18.6 g (89%, two steps, $\alpha/\beta=10:3$). 1H NMR (600 MHz, $CDCl_3$) δ for α -anomer 7.45–7.22 (16H, m, aromatic), 6.88 (2H, d, $J=8.8$ Hz, MPM), 5.55 (1H, d, $J_{1,2}=5.4$ Hz, H-1), 5.16 (1H, dd, $J_{4,3}=9.5$ Hz, $J_{4,5}=9.5$ Hz, H-4), 4.76 and 4.62 (each 1H, d, $J_{gem}=10.8$ Hz, $PhCH_2$), 4.41–4.37 (1H, m, H-5), 3.94 (1H, dd, $J_{2,1}=5.4$ Hz, $J_{2,3}=10.2$ Hz, H-2), 3.80–3.65 (6H, m, H-3, H-6a, H-6b, OCH_3), 2.61–2.58 (2H, m, $CH_3C(=O)C_2H_4C(=O)-$), 2.37–2.34 (2H, m, $CH_3C(=O)C_2H_4C(=O)-$), 2.15 (3H, s, CH_3), 1.27 (9H, s, $C(CH_3)_3$), 1.01 (9H, s, $C(CH_3)_3$); ^{13}C NMR (150 MHz, $CDCl_3$) δ for α -anomer 205.9, 171.2, 135.7, 135.5, 132.0, 129.9, 127.6, 127.5, 126.1, 113.8, 87.2, 78.9, 74.8, 71.8, 70.5, 63.8, 62.4, 55.2, 37.7, 31.1, 29.8, 27.8, 26.6; HRMS (positive mode) found: m/z 832.3429 $[M+Na]^+$, calcd for $C_{45}H_{55}N_3O_7SiNa$: 832.3428.

3.20. 2-Azido-6-*O*-*tert*-butyldiphenylsilyl-2-deoxy-4-*O*-levulinyl-3-*O*-(4-methoxybenzyl)- β -D-glucopyranose

To a solution of compound **23** (75.5 mg, 93.2 μ mol) in acetone/ H_2O (5:2, 1.4 ml) was added NCS (87.1 mg, 0.652 mmol) at room temperature. After 12 h, the reaction was quenched by the addition of 10% $Na_2S_2O_3$ aq and the mixture was diluted with AcOEt. The organic layer was washed with 10% $Na_2S_2O_3$ aq and brine, dried over Na_2SO_4 , filtered, and concentrated in vacuo. Flash chromatography (silica gel: 5 g, hexane/EtOAc=6:1 \rightarrow 4:1) afforded 2-azido-6-*O*-*tert*-butyldiphenylsilyl-2-deoxy-4-*O*-levulinyl-3-*O*-(4-methoxybenzyl)- β -D-glucopyranose as a colorless oil. Yield 44.8 mg (73%, $\alpha/\beta=5:3$). 1H NMR (600 MHz, $CDCl_3$) δ for α -anomer 7.69–7.23 (12H, m, aromatic), 6.87 (2H, d, $J=8.8$ Hz, MPM), 5.28 (1H, dd, $J_{1,2}=3.4$ Hz, $J_{1,OH}=3.4$ Hz, H-1), 5.14 (1H, dd, $J_{4,3}=9.5$ Hz, $J_{4,5}=10.2$ Hz, H-4), 4.71 and 4.60 (each 1H, d, $J_{gem}=10.8$ Hz, $PhCH_2$), 4.40–3.97 (1H, m, H-5), 3.98 (1H, dd, $J_{3,2}=9.5$ Hz, $J_{3,4}=9.5$ Hz, H-3), 3.79 (3H, s, OCH_3), 3.70–3.66 (2H, m, H-6a, H-6b), 3.46 (1H, dd, $J_{2,1}=3.4$ Hz, $J_{2,3}=9.5$ Hz, H-2), 2.84 (1H, d, OH), 2.61–2.58 (2H, m, $CH_3C(=O)C_2H_4C(=O)-$), 2.37–2.32 (2H, m, $CH_3C(=O)C_2H_4C(=O)-$), 2.14 (3H, s, CH_3), 1.02 (9H, s, $C(CH_3)_3$); ^{13}C NMR (150 MHz, $CDCl_3$) δ for α -anomer 206.1, 171.2, 135.8, 135.7, 135.6, 135.6, 129.8, 129.7, 129.6, 127.5, 127.5, 113.7, 91.8, 77.3, 74.4, 70.7, 70.5, 63.5, 62.9, 55.2, 37.7, 29.8, 27.8, 26.7; HRMS (positive mode) found: m/z 684.2713 $[M+Na]^+$, calcd for $C_{35}H_{43}N_3O_8SiNa$: 684.2717.

3.21. 2-Azido-6-*O*-*tert*-butyldiphenylsilyl-2-deoxy-4-*O*-levulinyl-3-*O*-(4-methoxybenzyl)- β -D-glucopyranosyl trichloroacetimidate (24)

To a solution of 2-azido-6-*O*-*tert*-butyldiphenylsilyl-2-deoxy-4-*O*-levulinyl-3-*O*-(4-methoxybenzyl)- β -D-glucopyranose (5.53 g,

8.36 mmol) in CH_2Cl_2 (15 ml) were added trichloroacetonitrile (2.79 ml, 27.8 mmol) and Cs_2CO_3 (908 mg, 2.73 mmol) at 0°C . After being stirred for 2 h, the reaction mixture was filtered through a Celite pad. The filtrate was concentrated in vacuo to afford glycosyl imidate **24**, which was used to the next reaction without further purification.

3.22. Methyl [2-O-azido-6-O-tert-butylidiphenylsilyl-2-O-deoxy-4-O-levulinyl-3-O-(4-methoxybenzyl)- α -D-glucopyranosyl]-(1 \rightarrow 4)-(tert-butylidimethylsilyl 2-O-benzoyl-3-O-benzyl- β -D-glucopyranosid)uronate (25)

The glycosyl donor **24** (8.38 mmol), glycosyl acceptor **8** (2.85 g, 5.51 mmol), and MS4A powder (7.0 g) were then suspended in anhydrous toluene (70 ml) under Ar. After being stirred for 2 h, the mixture was cooled to -20°C . TBDMSOTf (506 μl , 2.20 mmol) was added at the same temperature. The reaction mixture was stirred and gradually warmed to 0°C . After 5 h, the reaction was quenched by the addition of water. The resulting mixture was filtered through a Celite pad. The filtrate was washed with water, satd NaHCO_3 aq, and brine, dried over Na_2SO_4 , filtered, and concentrated in vacuo. Flash chromatography (silica gel: toluene/AcOEt=100:1 \rightarrow 20:1) afforded compound **25** as a brown oil. Yield 5.29 g (83%). ^1H NMR (600 MHz, CDCl_3) δ 8.04 (2H, d, $J=8.1$ Hz, Bz), 7.65–7.19 (20H, m, aromatic), 6.88 (2H, d, $J=8.8$ Hz, MPM), 5.51 (1H, d, $J_{1,2}=3.4$ Hz, H-1'), 5.36–5.31 (2H, m, H-2, H-4'), 4.87 (1H, d, $J_{1,2}=7.4$ Hz, H-1), 4.79 and 4.72 (each 1H, d, $J_{\text{gem}}=10.8$ Hz, PhCH_2), 4.72 and 4.61 (each 1H, d, $J_{\text{gem}}=10.8$ Hz, PhCH_2), 4.28 (1H, dd, $J_{4,3}=8.8$ Hz, $J_{4,5}=9.5$ Hz, H-4), 4.07 (1H, d, $J_{5,4}=9.5$ Hz, H-5), 4.01 (1H, dd, $J_{3,2}=8.8$ Hz, $J_{3,4}=8.8$ Hz, H-3), 3.90 (1H, dd, $J_{3,2}=10.2$ Hz, $J_{3,4}=9.5$ Hz, H-3'), 3.79 (3H, s, OCH_3), 3.69 (1H, dd, $J_{6a',5'}=1.3$ Hz, $J_{6a',6b'}=11.8$ Hz, H-6a'), 3.64 (1H, dd, $J_{6b',5'}=1.3$ Hz, $J_{6b',6a'}=11.8$ Hz, H-6b'), 3.56–3.53 (4H, m, OCH_3 , H-5'), 3.34 (1H, dd, $J_{2,1'}=3.4$ Hz, $J_{2,3'}=10.2$ Hz, H-2'), 2.66–2.63 (2H, m, $\text{CH}_3\text{C}(=\text{O})\text{C}_2\text{H}_4\text{C}(=\text{O})-$), 2.42–2.36 (2H, m, $\text{CH}_3\text{C}(=\text{O})\text{C}_2\text{H}_4\text{C}(=\text{O})-$), 2.17 (3H, s, $\text{CH}_3\text{C}(=\text{O})\text{C}_2\text{H}_4\text{C}(=\text{O})-$), 1.02 (9H, s, $\text{C}(\text{CH}_3)_3$), 0.74 (9H, s, $\text{C}(\text{CH}_3)_3$), 0.06 (3H, s, CH_3), 0.00 (3H, s, CH_3); ^{13}C NMR (150 MHz, CDCl_3) δ 206.3, 168.4, 163.7, 135.7, 135.6, 135.6, 129.8, 129.6, 129.6, 129.6, 129.5, 128.4, 128.3, 127.8, 127.7, 127.6, 127.5, 113.7, 97.3, 95.9, 82.2, 77.3, 74.8, 74.7, 74.3, 74.1, 73.7, 70.8, 69.6, 62.8, 60.7, 55.2, 52.4, 37.7, 29.8, 27.8, 26.6, 25.2, -4.4 , -5.4 ; HRMS (positive mode) found: m/z 1182.4793 $[\text{M}+\text{Na}]^+$, calcd for $\text{C}_{62}\text{H}_{77}\text{N}_3\text{O}_{15}\text{Si}_2\text{Na}$: 1182.4791.

3.23. Methyl [2-O-azido-6-O-tert-butylidiphenylsilyl-2-O-deoxy-4-O-levulinyl-3-O-(4-methoxybenzyl)- α -D-glucopyranosyl]-(1 \rightarrow 4)-(tert-butylidimethylsilyl 2-O-benzoyl-3-O-benzyl- β -D-idopyranosid)uronate (26)

The glycosyl imidate **24** (0.375 mmol), glycosyl acceptor **15** (97.1 mg, 0.187 mmol), and MS4A powder (800 mg) were then suspended in anhydrous CH_2Cl_2 (8.0 ml) under Ar. After being stirred for 3 h, the mixture was cooled to -20°C . TBDMSOTf (21.5 μl , 93.7 mmol) was added at the same temperature. The reaction mixture was stirred and gradually warmed to room temperature. After 18 h, the reaction was quenched by the addition of water. The resulting mixture was filtered through a Celite pad. The filtrate was washed with water, and brine, dried over Na_2SO_4 , filtered, and concentrated in vacuo. Flash chromatography (silica gel: toluene/AcOEt=100:1 \rightarrow 60:1) afforded compound **26** as a brown oil. Yield 169 mg (77%). ^1H NMR (600 MHz, CDCl_3) δ 8.21 (2H, d, $J=7.4$ Hz, Bz), 7.66 (18H, m, aromatic), 7.02 (2H, d, $J=8.8$ Hz, MPM), 6.80 (2H, d, $J=8.8$ Hz, MPM), 5.28 (1H, dd, $J_{4,3'}=9.5$ Hz, $J_{4,5'}=9.5$ Hz, H-4'), 5.19 (1H, s, H-1), 5.09 (1H, s, H-2), 4.84 and 4.76 (each 1H, d, $J_{\text{gem}}=11.5$ Hz, PhCH_2), 4.68 (1H, d,

$J_{1,2'}=3.4$ Hz, H-1'), 4.51 (1H, d, $J_{5,4}=2.0$ Hz, H-5), 4.30 (1H, d, $J_{3,4}=3.4$ Hz, H-3), 3.92–3.90 (3H, m, H-4, PhCH_2), 3.79–3.75 (4H, m, H-5', OCH_3), 3.67–3.66 (2H, m, H-6a', H-6b'), 3.55 (1H, dd, $J_{3,2'}=9.5$ Hz, $J_{3,4'}=9.5$ Hz, H-3'), 3.45 (3H, s, OCH_3), 3.31 (1H, dd, $J_{2,1'}=3.4$ Hz, $J_{2,3'}=9.5$ Hz, H-2'), 2.63–2.61 (2H, m, $\text{CH}_3\text{C}(=\text{O})\text{C}_2\text{H}_4\text{C}(=\text{O})-$), 2.39–2.37 (2H, m, $\text{CH}_3\text{C}(=\text{O})\text{C}_2\text{H}_4\text{C}(=\text{O})-$), 2.17 (3H, s, $\text{CH}_3\text{C}(=\text{O})\text{C}_2\text{H}_4\text{C}(=\text{O})-$), 1.00 (9H, s, $\text{C}(\text{CH}_3)_3$), 0.80 (9H, s, $\text{C}(\text{CH}_3)_3$), 0.14 (3H, s, CH_3), 0.06 (3H, s, CH_3); ^{13}C NMR (150 MHz, CDCl_3) δ 206.1, 170.7, 168.3, 166.5, 135.8, 135.7, 130.1, 129.6, 129.5, 129.5, 129.0, 128.5, 128.4, 128.2, 128.0, 127.5, 127.4, 113.6, 99.2, 93.4, 77.9, 75.1, 74.1, 73.7, 73.7, 73.0, 71.1, 69.7, 68.9, 63.4, 61.5, 55.2, 51.8, 37.7, 30.9, 29.8, 29.2, 27.8, 26.6, 25.5, -4.0 , -5.3 ; HRMS (positive mode) found: m/z 1182.4759 $[\text{M}+\text{Na}]^+$, calcd for $\text{C}_{62}\text{H}_{77}\text{N}_3\text{O}_{15}\text{Si}_2\text{Na}$: 1182.4791.

3.24. Methyl [2-O-azido-6-O-tert-butylidiphenylsilyl-2-O-deoxy-4-O-levulinyl-3-O-(4-methoxybenzyl)- α -D-glucopyranosyl]-(1 \rightarrow 4)-(2-O-benzoyl-3-O-benzyl- β -D-glucopyranosyl)uronate (27)

To a solution of compound **25** (55.7 mg, 48.0 μmol) in THF (1 ml) were added AcOH (5.5 μl , 96.0 μmol) and 1 M TBAF in THF (48.0 μl , 48.0 μmol) at room temperature. After being stirred for 12 h, the reaction mixture was poured into AcOEt. The resulting mixture was washed with water and brine, dried over Na_2SO_4 , filtered, and concentrated in vacuo. Flash chromatography (silica gel: 5 g, toluene/EtOAc=10:1 \rightarrow 8:1) afforded compound **27** as a colorless oil. Yield 39.5 mg (78%, $\alpha/\beta=5:1$). ^1H NMR (600 MHz, CDCl_3) δ for α -anomer 8.11 (2H, d, $J=7.4$ Hz, Bz), 7.66–7.19 (20H, m, aromatic), 6.86 (2H, d, $J=8.8$ Hz, MPM), 5.65 (1H, dd, $J_{1,2}=3.4$ Hz, $J_{1,\text{OH}}=5.4$ Hz, H-1), 5.37 (1H, d, $J_{1,2'}=3.4$ Hz, H-1'), 5.26 (1H, dd, $J_{4,3'}=10.2$ Hz, $J_{4,5'}=9.5$ Hz, H-4'), 5.16 (1H, dd, $J_{2,3}=8.1$ Hz, $J_{2,1}=3.4$ Hz, H-2), 4.85 (2H, s, PhCH_2), 4.70 (1H, d, $J_{5,4}=7.1$ Hz, H-5), 4.46 and 4.39 (each 1H, d, $J_{\text{gem}}=10.2$ Hz, PhCH_2), 4.37 (1H, dd, $J_{3,4}=7.4$ Hz, $J_{3,2}=8.1$ Hz, H-3), 4.19 (1H, dd, $J_{4,5}=7.1$ Hz, $J_{4,3}=7.4$ Hz, H-4), 3.81–3.77 (4H, m, H-3', OCH_3), 3.69–3.62 (3H, m, H-5', H-6a', H-6b'), 3.54 (3H, s, OCH_3), 3.32 (1H, dd, $J_{2,3'}=10.2$ Hz, $J_{2,1'}=3.4$ Hz, H-2'), 3.23 (1H, d, $J_{\text{OH},1}=5.4$ Hz, OH), 2.65–2.62 (2H, m, $\text{CH}_3\text{C}(=\text{O})\text{C}_2\text{H}_4\text{C}(=\text{O})-$), 2.42–2.39 (2H, m, $\text{CH}_3\text{C}(=\text{O})\text{C}_2\text{H}_4\text{C}(=\text{O})-$), 2.16 (3H, s, $\text{CH}_3\text{C}(=\text{O})\text{C}_2\text{H}_4\text{C}(=\text{O})-$), 1.01 (9H, s, $\text{C}(\text{CH}_3)_3$); ^{13}C NMR (150 MHz, CDCl_3) δ 206.1, 170.9, 169.2, 159.2, 135.7, 135.6, 130.1, 129.8, 129.6, 129.6, 129.5, 129.3, 128.6, 128.4, 128.4, 127.8, 127.7, 127.5, 127.5, 113.7, 98.3, 89.9, 77.3, 75.1, 74.3, 74.1, 73.3, 72.4, 71.5, 71.0, 70.0, 62.8, 61.7, 55.2, 52.4, 37.7, 29.8, 27.8, 26.6; HRMS (positive mode) found: m/z 1068.3932 $[\text{M}+\text{Na}]^+$, calcd for $\text{C}_{56}\text{H}_{63}\text{N}_3\text{O}_{15}\text{SiNa}$: 1068.3926.

3.25. Benzyl (2-O-azido-6-O-tert-butylidiphenylsilyl-2-O-deoxy-4-O-levulinyl-3-O-(4-methoxybenzyl)- α -D-glucopyranosyl]-(1 \rightarrow 4)-(methyl 2-O-benzoyl-3-O-benzyl- β -D-glucopyranosyluronate)-(1 \rightarrow 6)-2,3,4-tetra-O-benzyl- β -D-glucopyranoside (30)

To a solution of **27** (54.1 mg, 51.7 μmol) in CH_2Cl_2 (2 ml) were added trichloroacetonitrile (51.8 μl , 517 mmol) and Cs_2CO_3 (16.8 mg, 51.7 μmol) at room temperature. After being stirred for 1 h, the reaction mixture was filtered through Celite pad. The filtrate was concentrated in vacuo to give glycosyl imidate **28**. The glycosyl imidate **28** (51.7 μmol), glucose moiety **29** (55.9 mg, 0.103 mmol), and MS4A powder (400 mg) were then suspended in anhydrous CH_2Cl_2 (4 ml) under Ar. After being stirred for 2.5 h, the mixture was cooled to -78°C . TMSOTf (5.74 μl , 25.8 μmol) was then added at the same temperature. After 23 h, the reaction was quenched by the addition of water. The resulting mixture was filtered through a Celite pad. The filtrate

was washed with water, and brine, dried over Na₂SO₄, filtered, and concentrated in vacuo. Flash chromatography (silica gel: 5 g, toluene/AcOEt=50:1→10:1) afforded compound **30** as a colorless oil. Yield 54.7 mg (68%, two steps). ¹H NMR (600 MHz, CDCl₃) δ 7.98 (2H, d, *J*=6.7 Hz, Bz), 7.65–7.13 (40H, m, aromatic), 6.88 (2H, d, *J*=8.8 Hz, MPM), 5.46 (1H, d, *J*_{1',2'}=3.4 Hz, H-1'), 5.43 (1H, dd, *J*_{2',3'}=8.8 Hz, *J*_{2',1'}=7.4 Hz, H-2'), 5.35 (1H, dd, *J*_{4'',5''}=9.5 Hz, *J*_{4'',3''}=9.5 Hz, H-4''), 4.87 and 4.69 (each 1H, d, *J*_{gem}=10.8 Hz, PhCH₂), 4.86 and 4.68 (each 1H, d, *J*_{gem}=12.2 Hz, PhCH₂), 4.79 and 4.70 (each 1H, d, *J*_{gem}=10.2 Hz, PhCH₂), 4.73 (1H, d, *J*_{1',2'}=7.4 Hz, H-1'), 4.69 and 4.64 (each 1H, d, *J*_{gem}=10.8 Hz, PhCH₂), 4.65 and 4.41 (each 1H, d, *J*_{gem}=12.2 Hz, PhCH₂), 4.60 and 4.44 (each 1H, d, *J*_{gem}=10.8 Hz, PhCH₂), 4.36 (1H, d, *J*_{1,2}=7.4 Hz, H-1), 4.26 (1H, dd, *J*_{4',5'}=9.5 Hz, *J*_{4',3'}=8.8 Hz, H-4'), 4.10 (1H, dd, *J*_{6a,6b}=10.8 Hz, *J*_{6a,5}=1.3 Hz, H-6a), 4.05 (1H, d, *J*_{5',4'}=9.5 Hz, H-5'), 3.97 (1H, dd, *J*_{3',4'}=8.8 Hz, *J*_{3',2'}=8.8 Hz, H-3'), 3.90 (1H, dd, *J*_{3'',4''}=9.5 Hz, *J*_{3'',2''}=9.5 Hz, H-3''), 3.78 (3H, s, OCH₃), 3.69 (1H, dd, *J*_{6a'',6b''}=11.5 Hz, *J*_{6a'',5''}=1.3 Hz, H-6a''), 3.64 (1H, dd, *J*_{6b'',6a''}=11.5 Hz, *J*_{6b'',5''}=2.7 Hz, H-6b''), 3.59–3.52 (6H, m, H-3, H-6b, H-5', OCH₃), 3.44–3.41 (1H, m, H-5), 3.40 (1H, dd, *J*_{2,3}=8.1 Hz, *J*_{2,1}=7.4 Hz, H-2), 3.34–3.30 (2H, m, H-4, H-2'), 2.66–2.63 (2H, m, CH₃C(=O)C₂H₄C(=O)-), 2.42–2.39 (2H, m, CH₃C(=O)C₂H₄C(=O)-), 2.16 (3H, s, CH₃C(=O)C₂H₄C(=O)-), 1.01 (9H, s, C(CH₃)₃); ¹³C NMR (150 MHz, CDCl₃) δ 206.1, 168.3, 164.8, 159.3, 138.4, 135.7, 135.7, 129.8, 129.6, 129.6, 129.0, 128.4, 128.3, 128.3, 128.2, 128.2, 128.1, 127.9, 127.8, 127.8, 127.7, 127.7, 127.6, 127.5, 125.2, 113.7, 102.1, 101.0, 97.4, 84.4, 82.1, 82.0, 77.7, 77.2, 75.6, 74.8, 74.7, 74.7, 74.5, 74.4, 74.1, 73.9, 72.9, 70.9, 70.7, 69.8, 68.3, 62.8, 61.4, 55.2, 52.4, 37.7, 29.8, 27.8, 26.7; HRMS (positive mode) found: *m/z* 1590.6341 [M+Na]⁺, calcd for C₉₀H₉₇N₃O₂₀SiNa: 1590.6332.

3.26. Methyl [2-*O*-azido-6-*O*-*tert*-butyldiphenylsilyl-2-*O*-deoxy-4-*O*-levulinyl-3-*O*-(4-methoxybenzyl)- α -*D*-glucopyranosyl]-(1→4)-(2-*O*-benzoyl-3-*O*-benzyl- β -*D*-idopyranosyl)uronate (**31**)

To a solution of compound **26** (19.9 mg, 17.1 μ mol) in pyridine (1 ml) was added HF·pyridine (44.4 μ l, 1.71 mmol) at room temperature. After being stirred for 2 h, the reaction mixture was poured into AcOEt. The resulting mixture was washed with water and brine, dried over Na₂SO₄, filtered, and concentrated in vacuo. Flash chromatography (silica gel: 5 g, toluene/EtOAc=10:1→3:1) afforded compound **31** as a colorless oil. Yield 13.1 mg (73%, α/β =5:3). ¹H NMR (600 MHz, CDCl₃) δ for α -anomer 8.18 (2H, d, *J*=7.4 Hz, Bz), 7.65–7.17 (18H, m, aromatic), 7.04 (2H, d, *J*=8.8 Hz, MPM), 6.82 (2H, d, *J*=8.8 Hz, MPM), 5.49 (1H, d, *J*_{1,1-OH}=8.8 Hz, H-1), 5.05 (1H, d, *J*_{2,3}=2.7 Hz, H-2), 4.89 (1H, d, *J*_{5,4}=2.7 Hz, H-5), 4.87 (1H, d, *J*_{gem}=11.5 Hz, PhCH₂), 4.77 (1H, d, *J*_{gem}=11.5 Hz, PhCH₂), 4.68 (1H, d, *J*_{1',2'}=3.4 Hz, H-1'), 4.34 (1H, dd, *J*_{3,2}=2.7 Hz, *J*_{3,4}=3.4 Hz, H-3), 4.09 (1H, d, *J*_{1-OH,1}=8.8 Hz, H-1), 4.01 (1H, dd, *J*_{4,3}=3.4 Hz, *J*_{4,5}=2.7 Hz, H-4), 3.96 (1H, d, *J*_{gem}=10.8 Hz, PhCH₂), 3.83 (1H, d, *J*_{gem}=10.8 Hz, PhCH₂), 3.77–3.75 (4H, m, H-6a', OCH₃), 3.72–3.68 (2H, m, H-5', H-6b'), 3.50 (3H, s, OCH₃), 3.29 (1H, dd, *J*_{2',1'}=3.4 Hz, *J*_{2',3'}=7.4 Hz, H-2'), 2.66–2.59 (2H, m, CH₃C(=O)-C₂H₄C(=O)-), 2.42–2.31 (2H, m, CH₃C(=O)C₂H₄C(=O)-), 2.16 (3H, s, CH₃C(=O)C₂H₄C(=O)-), 1.00 (9H, s, C(CH₃)₃); ¹³C NMR (150 MHz, CDCl₃) δ for β -anomer 206.0, 170.7, 165.8, 159.2, 135.7, 135.7, 133.2, 130.0, 129.7, 129.6, 129.5, 128.6, 128.5, 128.5, 128.3, 127.5, 127.4, 127.4, 113.6, 99.2, 93.6, 77.9, 74.7, 74.0, 73.6, 72.5, 71.2, 69.7, 68.2, 67.4, 63.2, 61.4, 55.2, 52.1, 37.7, 29.8, 27.8, 26.6; HRMS (positive mode) found: *m/z* 1068.3912 [M+Na]⁺, calcd for C₅₆H₆₃N₃O₁₅SiNa: 1068.3926.

3.27. Benzyl (2-*O*-azido-6-*O*-*tert*-butyldiphenylsilyl-2-*O*-deoxy-4-*O*-levulinyl-3-*O*-(4-methoxybenzyl)- α -*D*-glucopyranosyl)-(1→4)-(methyl 2-*O*-benzoyl-3-*O*-benzyl- β -*D*-idopyranosyluronate)-(1→6)-2,3,4-tetra-*O*-benzyl- β -*D*-glucopyranoside (**33**)

To a solution of **31** (112 mg, 107 μ mol) in CH₂Cl₂ (8 ml) were added trichloroacetonitrile (107 μ l, 1.07 mmol) and Cs₂CO₃ (34.8 mg, 107 μ mol) at 0 °C. The reaction mixture was stirred and gradually warmed to room temperature. After being stirred for 6 h, the reaction mixture was filtered through Celite pad. The filtrate was concentrated in vacuo to give glycosyl imidate **32**. The glycosyl imidate **32** (107 μ mol), glucose moiety **29** (116 mg, 214 μ mol), and MS4A powder (1.0 g) were then suspended in anhydrous CH₂Cl₂ (10 ml) under Ar. After being stirred for 2.5 h, the mixture was cooled to –20 °C. TMSOTf (3.8 μ l, 21 μ mol) was then added at the same temperature. After 2.5 h, the reaction was quenched by the addition of water. The resulting mixture was filtered through a Celite pad. The filtrate was washed with water, satd NaHCO₃ aq, and brine, dried over Na₂SO₄, filtered, and concentrated in vacuo. Flash chromatography (silica gel: 15 g, toluene/AcOEt=50:1→30:1) afforded compound **33** as a colorless oil. Yield 103 mg (62%, two steps). ¹H NMR (600 MHz, CDCl₃) δ 8.17 (2H, d, *J*=8.1 Hz, Bz), 7.64–7.17 (40H, m aromatic), 7.04 (2H, d, *J*=8.8 Hz, MPM), 6.81 (2H, d, *J*=8.8 Hz, MPM), 5.30 (1H, dd, *J*_{4'',3''}=9.5 Hz, *J*_{4'',5''}=10.2 Hz, H-4''), 5.20 (1H, s, H-1'), 5.10 (1H, s, H-2'), 4.98 (1H, s, H-5'), 4.91 (1H, d, *J*_{gem}=10.8 Hz, PhCH₂), 4.91 (1H, d, *J*_{gem}=10.2 Hz, PhCH₂), 4.91 (1H, d, *J*_{gem}=10.8 Hz, PhCH₂), 4.79 (1H, d, *J*_{gem}=11.5 Hz, PhCH₂), 4.77 (1H, d, *J*_{gem}=10.2 Hz, PhCH₂), 4.74 (1H, d, *J*_{gem}=12.2 Hz, PhCH₂), 4.73 (1H, d, *J*_{gem}=10.8 Hz, PhCH₂), 4.72 (1H, d, *J*_{1'',2''}=4.0 Hz, H-1''), 4.68 (1H, d, *J*_{gem}=10.8 Hz, PhCH₂), 4.56 (1H, d, *J*_{gem}=11.5 Hz, PhCH₂), 4.50 (1H, d, *J*_{gem}=12.2 Hz, PhCH₂), 4.44 (1H, d, *J*_{1,2}=7.4 Hz, H-1), 4.16 (1H, s, H-3'), 4.03 (1H, s, H-4'), 4.03 (1H, dd, *J*_{6a,6b}=11.5 Hz, *J*_{6a,5}=1.3 Hz, H-6a), 4.01 (1H, d, *J*_{gem}=10.2 Hz, PhCH₂), 3.92 (1H, d, *J*_{gem}=10.2 Hz, PhCH₂), 3.86 (1H, dd, *J*_{6b,6a}=11.5 Hz, *J*_{6b,5}=4.7 Hz, H-6b), 3.79–3.77 (4H, m, H-5', OCH₃), 3.71 (1H, dd, *J*_{6a'',6b''}=10.2 Hz, *J*_{6a'',5''}=4.0 Hz, H-6a''), 3.67 (1H, dd, *J*_{6b'',6a''}=10.2 Hz, *J*_{6b'',5''}=2.7 Hz, H-6b''), 3.61–3.56 (4H, m, H-3, H-4, H-5, H-3''), 3.42 (1H, dd, *J*_{2,1}=7.4 Hz, *J*_{2,3}=8.1 Hz, H-2), 3.37 (3H, s, OCH₃), 3.30 (1H, dd, *J*_{2'',1''}=4.0 Hz, *J*_{2'',3''}=9.5 Hz, H-2''), 2.64–2.61 (2H, m, CH₃C(=O)C₂H₄C(=O)-), 2.41–2.35 (2H, m, CH₃C(=O)C₂H₄C(=O)-), 2.16 (3H, s, CH₃C(=O)C₂H₄C(=O)-), 0.99 (9H, s, C(CH₃)₃); ¹³C NMR (150 MHz, CDCl₃) δ 206.0, 170.7, 159.2, 138.0, 137.3, 135.7, 135.7, 129.9, 129.6, 129.5, 128.5, 128.5, 128.5, 128.4, 128.3, 128.3, 128.3, 128.2, 128.1, 127.9, 127.8, 127.8, 127.7, 127.6, 127.6, 127.5, 127.4, 113.6, 102.3, 99.2, 98.8, 84.6, 82.2, 78.0, 77.5, 75.7, 75.2, 74.9, 74.9, 74.1, 72.4, 72.3, 72.3, 71.0, 70.7, 69.7, 67.8, 67.3, 67.1, 63.3, 61.5, 55.2, 51.8, 37.7, 29.8, 27.8, 26.6; HRMS (positive mode) found: *m/z* 1590.6357 [M+Na]⁺, calcd for C₉₀H₉₇N₃O₂₀SiNa: 1590.6332.

3.28. Benzyl (2-*O*-azido-6-*O*-*tert*-butyldiphenylsilyl-2-*O*-deoxy-3-*O*-(4-methoxybenzyl)- α -*D*-glucopyranosyl)-(1→4)-(methyl 2-*O*-benzoyl-3-*O*-benzyl- β -*D*-glucopyranosyluronate)-(1→6)-2,3,4-tetra-*O*-benzyl- β -*D*-glucopyranoside

Compound **30** (649 mg, 0.413 mmol) was dissolved in pyridine/AcOH (3:2, 10 ml) and hydrazine monohydrate (30.2 μ l, 0.620 mmol) was added at room temperature. After 3 h, the reaction was quenched by addition of acetone and the mixture was diluted with AcOEt. The organic layer was washed with 1 M HCl aq, satd NaHCO₃ aq, and brine, dried over Na₂SO₄, filtered, and concentrated in vacuo. Flash chromatography (silica gel: 30 g, toluene/EtOAc=20:1→10:1) afforded benzyl (2-*O*-azido-6-*O*-*tert*-butyldiphenylsilyl-2-*O*-deoxy-3-*O*-(4-methoxybenzyl)- α -*D*-glucopyranosyl)-(1→4)-(methyl 2-*O*-

benzoyl-3-O-benzyl- β -D-glucopyranosyluronate)-(1 \rightarrow 6)-2,3,4-tetra-O-benzyl- β -D-glucopyranoside as a white solid. Yield 540 mg (89%). ^1H NMR (600 MHz, CDCl_3) δ 7.96 (2H, d, $J=8.1$ Hz, Bz), 7.69–7.13 (40H, m, aromatic), 6.91 (2H, d, $J=8.1$ Hz, MPM), 5.40–5.38 (2H, m, H-1'', H-2''), 4.88 and 4.79 (each 1H, d, $J_{\text{gem}}=10.8$ Hz, PhCH_2), 4.84 and 4.80 (each 1H, d, $J_{\text{gem}}=10.8$ Hz, PhCH_2), 4.79 and 4.64 (each 1H, d, $J_{\text{gem}}=10.8$ Hz, PhCH_2), 4.72 and 4.71 (each 1H, d, $J_{\text{gem}}=12.2$ Hz, PhCH_2), 4.68 and 4.45 (each 1H, d, $J_{\text{gem}}=11.5$ Hz, PhCH_2), 4.67 (1H, d, $J_{1,2}=8.1$ Hz, H-1'), 4.66 and 4.41 (each 1H, d, $J_{\text{gem}}=12.2$ Hz, PhCH_2), 4.36 (1H, d, $J_{1,2}=7.4$ Hz, H-1), 4.25 (1H, dd, $J_{4,5}=8.8$ Hz, $J_{4,3}=8.8$ Hz, H-4'), 4.11 (1H, d, $J_{6a,6b}=10.8$ Hz, H-6a''), 4.01 (1H, d, $J_{5,4}=8.8$ Hz, H-5'), 3.94–3.90 (2H, m, H-6a, H-3'), 3.79–3.72 (6H, m, H-6b, H-3'', H-4'', OCH_3), 3.60–3.53 (5H, m, H-3, H-6b'', OCH_3), 3.47–3.40 (3H, m, H-2, H-5, H-5''), 3.35 (1H, dd, $J_{4,5}=9.5$ Hz, $J_{4,3}=9.5$ Hz, H-4), 3.22 (1H, dd, $J_{2,3}=9.5$ Hz, $J_{2,1}=3.3$ Hz, H-2''), 2.78 (1H, d, $J_{\text{OH},4''}=1.3$ Hz, OH), 1.05 (9H, s, $\text{C}(\text{CH}_3)_3$); ^{13}C NMR (150 MHz, CDCl_3) δ 168.3, 164.8, 159.3, 137.8, 137.2, 135.6, 129.9, 129.9, 129.8, 129.6, 128.4, 128.3, 128.3, 128.3, 128.2, 128.1, 127.9, 127.9, 127.8, 127.7, 127.7, 127.6, 113.9, 102.1, 101.1, 97.5, 84.4, 82.2, 82.0, 78.8, 77.7, 75.6, 74.8, 74.8, 74.7, 74.5, 74.4, 74.3, 73.1, 73.0, 70.9, 70.7, 68.2, 64.0, 62.5, 55.2, 52.5, 26.8; HRMS (positive mode) found: m/z 1492.5978 $[\text{M}+\text{Na}]^+$, calcd for $\text{C}_{85}\text{H}_{91}\text{N}_3\text{O}_{18}\text{SiNa}$: 1492.5965.

3.29. Benzyl [2-O-azido-6-O-tert-butylidiphenylsilyl-2-O-deoxy-3-O-(4-methoxybenzyl)-4-O-methyl- α -D-glucopyranosyl]-(1 \rightarrow 4)-(methyl 2-O-benzoyl-3-O-benzyl- β -D-glucopyranosyluronate)-(1 \rightarrow 6)-2,3,4-tetra-O-benzyl- β -D-glucopyranoside (34)

To a solution of benzyl (2-O-azido-6-O-tert-butylidiphenylsilyl-2-O-deoxy-3-O-(4-methoxybenzyl)- α -D-glucopyranosyl)-(1 \rightarrow 4)-(methyl 2-O-benzoyl-3-O-benzyl- β -D-glucopyranosyluronate)-(1 \rightarrow 6)-2,3,4-tetra-O-benzyl- β -D-glucopyranoside (11.0 mg, 7.48 μmol) in anhydrous DMF (2 ml) were added MeI (0.90 μl , 15 μmol) and MS4AP (200 mg) at room temperature under Ar and the mixture was stirred for 2 h. After cooling to -20 $^\circ\text{C}$, lithium hexamethyldisilazide (LHMDS) in THF (7.0 μl , 1.6 M) was added at the same temperature. The reaction mixture was further stirred and gradually warmed to 0 $^\circ\text{C}$. After 4 h, the reaction was quenched by the addition of methanol and the reaction mixture was filtered through a Celite pad. The filtrate was washed with 10% $\text{Na}_2\text{S}_2\text{O}_3$ aq and brine, dried over Na_2SO_4 , filtered, and concentrated in vacuo. Flash chromatography (silica gel: 5 g, toluene/EtOAc=30:1 \rightarrow 10:1) afforded compound **34** as a white solid. Yield 9.44 mg (85%). ^1H NMR (600 MHz, CDCl_3) δ 7.97 (2H, d, $J=6.8$ Hz, Bz), 7.70–7.12 (40H, m, aromatic), 6.91 (2H, d, $J=8.8$ Hz, MPM), 5.42 (1H, dd, $J_{2,1}=8.1$ Hz, $J_{2,3}=8.1$ Hz, H-2'), 5.37 (1H, d, $J_{1,2}=4.0$ Hz, H-1''), 4.87 and 4.81 (each 1H, d, $J_{\text{gem}}=10.8$ Hz, PhCH_2), 4.85 and 4.69 (each 1H, d, $J_{\text{gem}}=10.2$ Hz, PhCH_2), 4.82 and 4.78 (each 1H, d, $J_{\text{gem}}=13.6$ Hz, PhCH_2), 4.79 and 4.39 (each 1H, d, $J_{\text{gem}}=12.2$ Hz, PhCH_2), 4.70 (1H, d, $J_{1,2}=8.1$ Hz, H-1'), 4.68 and 4.63 (each 1H, d, $J_{\text{gem}}=10.2$ Hz, PhCH_2), 4.67 and 4.42 (each 1H, d, $J_{\text{gem}}=10.8$ Hz, PhCH_2), 4.34 (1H, d, $J_{1,2}=7.4$ Hz, H-1), 4.20 (1H, dd, $J_{4,3}=8.8$ Hz, $J_{4,5}=8.8$ Hz, H-4'), 4.09 (1H, d, $J_{6a,6b}=10.8$ Hz, H-6a), 4.01 (1H, d, $J_{5,4}=8.8$ Hz, H-5'), 3.94–3.89 (2H, m, H-3', H-6a''), 3.81–3.78 (5H, m, H-3'', H-6b'', OCH_3), 3.62–3.50 (9H, m, H-3, H-6b, H-4'', $\text{OCH}_3 \times 2$), 3.41–3.36 (2H, m, H-2, H-5), 3.32–3.28 (2H, m, H-4, H-5''), 3.25 (1H, dd, $J_{2,1}=4.0$ Hz, $J_{2,3}=10.8$ Hz, H-2''), 1.02 (9H, s, $\text{C}(\text{CH}_3)_3$); ^{13}C NMR (150 MHz, CDCl_3) δ 168.3, 164.8, 159.4, 138.2, 137.2, 137.2, 135.8, 135.5, 130.0, 129.9, 129.6, 129.6, 128.4, 128.3, 128.3, 128.2, 128.1, 127.9, 127.8, 127.8, 127.7, 127.7, 127.6, 127.6, 127.5, 113.9, 102.0, 101.0, 97.6, 84.4, 82.2, 82.0, 79.6, 79.2, 77.7, 75.6, 75.2, 74.7, 74.6, 74.5, 74.4, 74.2, 74.2, 73.0, 72.3, 70.7, 68.3, 63.1, 61.6, 60.7, 55.2, 52.5, 26.8; HRMS (positive mode) found: m/z 1506.6133 $[\text{M}+\text{Na}]^+$, calcd for $\text{C}_{86}\text{H}_{93}\text{N}_3\text{O}_{18}\text{SiNa}$: 1506.6121.

3.30. Benzyl (2-O-azido-2-O-deoxy-3-O-(4-methoxybenzyl)-4-O-methyl- α -D-glucopyranosyl)-(1 \rightarrow 4)-(methyl 2-O-benzoyl-3-O-benzyl- β -D-glucopyranosyluronate)-(1 \rightarrow 6)-2,3,4-tetra-O-benzyl- β -D-glucopyranoside (35)

To a solution of compound **34** (19.9 mg, 13.4 μmol) in pyridine (4 ml) was added HF \cdot pyridine (174 μl , 6.70 μmol) at room temperature. The mixture was stirred for 2 days. The volatiles were removed in vacuo. Flash chromatography (silica gel: 5 g, toluene/EtOAc=10:1 \rightarrow 4:1) afforded compound **35** as a colorless oil. Yield 15.9 mg (95%). ^1H NMR (600 MHz, CDCl_3) δ 7.97 (2H, d, $J=6.8$ Hz, Bz), 7.47–7.13 (30H, m, aromatic), 6.90 (2H, d, $J=8.8$ Hz, MPM), 5.41 (1H, d, $J_{1,2}=3.3$ Hz, H-1''), 5.41 (1H, dd, $J_{2,1}=7.4$ Hz, $J_{2,3}=8.8$ Hz, H-2'), 4.88 and 4.86 (each 1H, d, $J_{\text{gem}}=10.8$ Hz, PhCH_2), 4.82 and 4.69 (each 1H, d, $J_{\text{gem}}=10.2$ Hz, PhCH_2), 4.77 and 4.75 (each 1H, d, $J_{\text{gem}}=9.5$ Hz, PhCH_2), 4.73 (1H, d, $J_{1,2}=7.4$ Hz, H-1'), 4.70 and 4.65 (each 1H, d, $J_{\text{gem}}=10.8$ Hz, PhCH_2), 4.70 and 4.45 (each 1H, d, $J_{\text{gem}}=10.8$ Hz, PhCH_2), 4.69 and 4.42 (each 1H, d, $J_{\text{gem}}=10.2$ Hz, PhCH_2), 4.37 (1H, d, $J_{1,2}=8.1$ Hz, H-1), 4.31 (1H, dd, $J_{4,3}=8.1$ Hz, $J_{4,5}=8.8$ Hz, H-4'), 4.12 (1H, dd, $J_{6a,5}=1.3$ Hz, $J_{6a,6b}=10.8$ Hz, H-6a), 4.06 (1H, d, $J_{5,4}=8.8$ Hz, H-5'), 3.94 (1H, dd, $J_{3,2}=8.8$ Hz, $J_{3,4}=8.1$ Hz, H-3'), 3.87–3.75 (8H, m, H-3'', H-6a'', $\text{OCH}_3 \times 2$), 3.69 (1H, dd, $J_{6b,5}=3.4$ Hz, $J_{6b,6a}=11.5$ Hz, H-6b''), 3.60–3.54 (5H, m, H-3, H-6b, OCH_3), 3.45–3.38 (3H, m, H-2, H-5, H-5''), 3.34 (1H, dd, $J_{4,3}=8.8$ Hz, $J_{4,5}=10.2$ Hz, H-4), 3.24–3.21 (2H, m, H-2'', H-4''); ^{13}C NMR (150 MHz, CDCl_3) δ 168.6, 164.8, 138.4, 138.2, 133.2, 129.8, 129.6, 128.4, 128.3, 128.3, 128.3, 128.1, 127.9, 127.8, 127.8, 127.7, 127.7, 127.6, 113.8, 102.1, 101.0, 97.5, 84.4, 82.2, 82.0, 80.0, 79.3, 77.7, 75.6, 75.0, 75.0, 74.7, 74.6, 74.4, 74.4, 73.3, 72.1, 70.7, 68.3, 63.0, 61.2, 60.8, 55.2, 52.8; HRMS (positive mode) found: m/z 1172.4349 $[\text{M}+\text{Na}]^+$, calcd for $\text{C}_{70}\text{H}_{75}\text{N}_3\text{O}_{18}\text{Na}$: 1172.4344.

3.31. 2-Deoxy-4-O-methyl-2-sulfoamino- α -D-glucopyranosyl-(1 \rightarrow 4)-(β -D-glucopyranosyluronic acid)-(1 \rightarrow 6)-D-glucopyranose disodium salt (38)

To a solution of compound **35** (70.6 mg, 60.9 μmol) in methanol/THF (1:1, 1.6 ml) was added 1 M NaOH aq (400 μl) at room temperature. After 24 h, the reaction was quenched by addition of Dowex 50W (H^+). After removal of insoluble materials by filtration, the filtrate was concentrated in vacuo. To a solution of the residue in methanol/THF (1:1, 3.2 ml) was added 0.1 M NaOH aq (974 μl) and 1 M PMe_3 in THF (487 μl , 0.487 μmol) at room temperature. After 2 days, the reaction was quenched by addition of 0.1 M HCl aq (974 μl). After the volatiles were removed in vacuo, the residue was dissolved in H_2O (10 ml). SO_3 -pyridine (970 mg, 6.09 μmol) was added. The pH of the reaction mixture was maintained at 9.5 by the addition of 5 M NaOH aq during the reaction. After 5 h, the volatiles were removed in vacuo. The residue was then suspended in MeOH. Insoluble materials were removed by filtration and the filtrate was concentrated in vacuo. Reversed phase chromatography (ODS: 6 g, $\text{H}_2\text{O}/\text{MeOH}=8:1 \rightarrow 0:1$) afforded compound **37**. Obtained **37** was dissolved in $\text{H}_2\text{O}/\text{MeOH}/\text{AcOH}$ (5:5:1, 16 ml). Pd/C (10%, 51.2 mg) was added to the mixture. The reaction mixture was stirred for 6 days at room temperature under H_2 (7 kg/cm 2). After filtration by membrane filter, the filtrate was concentrated in vacuo. Gel filtration (Sephadex G-25 fine: ϕ 1.5 \times 1000 mm, H_2O) afforded compound **38** as a white solid. Yield 4.52 mg (11%, $\alpha/\beta=1:2$, four steps). ^1H NMR (600 MHz, D_2O) δ for β -anomer 5.40 (1H, d, $J_{1,2}=3.4$ Hz, H-1''), 4.45 (1H, d, $J_{1,2}=8.1$ Hz, H-1), 4.39 (1H, d, $J_{1,2}=8.1$ Hz, H-1'), 3.97 (1H, d, $J_{6a,6b}=11.5$ Hz, H-6a), 3.92 (1H, d, $J_{6a,6b}=11.5$ Hz, H-6a''), 3.82 (1H, d, $J_{5,4}=8.8$ Hz, H-5'), 3.67–3.60 (6H, m, H-5, H-6b, H-3', H-4', H-5'', H-6b''), 3.48 (1H, dd, $J_{3,2}=10.2$ Hz, $J_{3,4}=9.5$ Hz, H-3''), 3.41 (1H, dd, $J_{4,3}=8.8$ Hz, $J_{4,5}=8.8$ Hz, H-4), 3.36 (3H, s, OCH_3), 3.28 (1H, dd, $J_{3,2}=8.8$ Hz, $J_{3,4}=8.8$ Hz, H-3), 3.22 (1H, dd,

$J_{2',1'}=8.1$ Hz, $J_{2',3'}=8.1$ Hz, H-2'), 3.13 (1H, dd, $J_{4'',3''}=9.5$ Hz, $J_{4'',5''}=10.2$ Hz, H-4''), 3.07 (1H, dd, $J_{2'',1''}=3.4$ Hz, $J_{2'',3''}=10.2$ Hz, H-2''), 3.60 (1H, dd, $J_{2,1}=8.1$ Hz, $J_{2,3}=8.8$ Hz, H-2); ^{13}C NMR (150 MHz, D_2O) δ 172.9, 102.6, 97.5, 95.8, 78.7, 76.4, 75.7, 75.5, 74.7, 73.9, 72.5, 70.8, 70.6, 70.2, 69.3, 68.9, 68.7, 59.6, 57.9, HRMS (negative mode) found: m/z 632.1133 $[\text{M}-\text{Na}]^-$, calcd for $\text{C}_{19}\text{H}_{31}\text{NO}_{19}\text{SNa}$: 632.1114.

Acknowledgements

The present work was financially supported in part by grants from Japan Science and Technology Agency (Evolutionally-venture program V07-05 to Y.S., CREST to Y.S.), and the Japan Ministry of Health, Labour and Welfare (MHLW) (Nanomedicine program to Y.S.), and the National Institutes of Health, USA (RO1 HL079182 to M.S.).

References and notes

1. *Chemistry and Biology of Heparin and Heparan Sulfate*; Garg, H. G., Linhardt, R. J., Hales, C. A., Eds.; Elsevier: Amsterdam, The Netherlands, 2005.
2. (a) Conrad, H. E. *Heparin-Binding Proteins*; Academic: San Diego, CA, USA, 1998; (b) Imberty, A.; Lortat-Jacob, H.; Pérez, S. *Carbohydr. Res.* **2007**, *342*, 430–439; (c) Raman, R.; Sasisekharan, V.; Sasisekharan, R. *Chem. Biol.* **2005**, *12*, 267–277; (d) Coombe, D. R.; Kett, W. C. *Cell. Mol. Life Sci.* **2005**, *62*, 410–424; (e) Petitou, M.; van Boeckel, C. A. A. *Angew. Chem., Int. Ed.* **2004**, *43*, 3118–3133; (f) Rabenstein, D. A. *Nat. Prod. Rep.* **2002**, *19*, 312–331; (g) Capila, I.; Linhardt, R. J. *Angew. Chem., Int. Ed.* **2002**, *41*, 390–412; (h) Turnbull, J.; Powell, A.; Guimond, S. *Trends Cell Biol.* **2001**, *11*, 75–82; (i) Casu, B.; Lindahl, U. *Adv. Carbohydr. Chem. Biochem.* **2001**, *57*, 159–206; (j) Esko, J. D.; Lindahl, U. *J. Clin. Invest.* **2001**, *108*, 169–173; (k) Bernfield, M.; Götte, M.; Park, P. W.; Reizes, O.; Fitzgerald, M. L.; Lincecum, J.; Zako, M. *Annu. Rev. Biochem.* **1999**, *68*, 729–777.
3. For comprehensive reviews on the synthesis of GAGs, see: (a) Noti, C.; Seeberger, P. H. *Chem. Biol.* **2005**, *12*, 731–756; (b) Karst, N. A.; Linhardt, R. J. *Curr. Med. Chem.* **2003**, *10*, 1993–2031; (c) Poletti, L.; Lay, L. *Eur. J. Org. Chem.* **2003**, 2999–3024; (d) Yeung, B. K. S.; Chong, P. Y. C.; Petillo, P. A. *J. Carbohydr. Chem.* **2002**, *21*, 799–865; (e) Tamura, J. *Trends Glycosci. Glycotechnol.* **2001**, *13*, 65–88.
4. For recent articles on the synthesis of GAGs see: (a) Polat, T.; Wong, C. H. *J. Am. Chem. Soc.* **2007**, *129*, 12795–12800; (b) Zhou, Y.; Lin, F.; Chen, J.; Yu, B. *Carbohydr. Res.* **2006**, *341*, 1619–1629; (c) Noti, C.; de Paz, J. L.; Polito, L.; Seeberger, P. H. *Chem.—Eur. J.* **2006**, *12*, 8664–8686; (d) de Paz, J. L.; Noti, C.; Seeberger, P. H. *J. Am. Chem. Soc.* **2006**, *128*, 2766–2767; (e) Gama, C. I.; Tully, S. E.; Sotogaku, N.; Clark, P. M.; Rawat, M.; Vaidehi, N.; Goddard, W. A.; Nishi, A.; Hsieh-Wilson, L. C. *Nat. Chem. Biol.* **2006**, *2*, 467–473; (f) Codée, J. D. C.; Stubba, B.; Schiattarella, M.; Overkleeft, H. S.; van Boeckel, C. A. A.; van Boom, J. H.; van der Marel, G. A. *J. Am. Chem. Soc.* **2005**, *127*, 3767–3773; (g) Lee, J. C.; Lu, X. A.; Kulkarni, S. S.; Wen, Y. S.; Hung, S. C. *J. Am. Chem. Soc.* **2004**, *126*, 476–477; (h) Orgueira, H. A.; Bartolozzi, A.; Schell, P.; Litjens, R. E.; Palmacci, E. R.; Seeberger, P. H. *Chem.—Eur. J.* **2003**, *9*, 140–169; (i) de Paz, J. L.; Ojeda, R.; Reichardt, Martín-Lomas, M. *Eur. J. Org. Chem.* **2003**, 3308–3324; (j) Kovensky, J.; Mallet, J. M.; Esnault, J.; Driguez, P. A.; Sizun, P.; Héroult, J. P.; Herbert, J. M.; Petitou, M.; Sinay, P. *Eur. J. Org. Chem.* **2002**, 3595–3603; (k) de Paz, J. L.; Angulo, J.; Lassaletta, J. M.; Nieto, P. M.; Redondo-Horcajo, M.; Lozano, R. M.; Gimenez-Gallego, G.; Martín-Lomas, M. *ChemBioChem* **2001**, *2*, 673–685 and references cited therein.
5. For recent articles on HP/HS oligosaccharide library, see: (a) Hecht, M. L.; Rosental, B.; Horlacher, T.; Hershkovitz, O.; de Paz, J. L.; Noti, C.; Schauer, S.; Porgador, A.; Seeberger, P. *J. Proteome Res.* **2009**, *8*, 712–720; (b) Herczeg, M.; Lázár, L.; Borbás, A.; Lipták, A.; Antus, S. *Org. Lett.* **2009**, *11*, 2619–2622; (c) Dilhas, A.; Lucas, R.; Loureiro-Morais, L.; Hersant, Y.; Bonnaffé, D. *J. Comb. Chem.* **2008**, *10*, 166–169; (d) de Paz, J. L.; Moseman, E. A.; Noti, C.; Polito, L.; von Andrian, U. H.; Seeberger, P. *J. ACS Chem. Biol.* **2007**, *2*, 735–744; (e) Lu, L.-D.; Shie, C.-R.; Kulkarni, S. S.; Pan, G.-R.; Lu, X.-A.; Hung, S.-C. *Org. Lett.* **2006**, *8*, 5995–5998; (f) Fan, R.-H.; Achkar, J.; Hernández-Torres, J. M.; Wei, A. *Org. Lett.* **2005**, *7*, 5095–5098.
6. For our previous studies, see: (a) Wakao, M.; Saito, A.; Ohishi, K.; Kishimoto, Y.; Nishimura, T.; Sobel, M.; Suda, Y. *Bioorg. Med. Chem. Lett.* **2008**, *18*, 2499–2504; (b) Suda, Y.; Arano, A.; Fukui, Y.; Koshida, S.; Wakao, M.; Nishimura, T.; Kusumoto, S.; Sobel, M. *Bioconjugate Chem.* **2006**, *17*, 1125–1135; (c) Koshida, S.; Suda, Y.; Sobel, M.; Kusumoto, S. *Tetrahedron Lett.* **2001**, *42*, 1289–1292; (d) Koshida, S.; Suda, Y.; Fukui, Y.; Ormsby, J.; Sobel, M.; Kusumoto, S. *Tetrahedron Lett.* **1999**, *40*, 5725–5728; (e) Suda, Y.; Bird, K.; Shiyama, T.; Koshida, S.; Marques, D.; Fukase, K.; Sobel, M.; Kusumoto, S. *Tetrahedron Lett.* **1996**, *37*, 1053–1056.
7. For articles on the synthesis of uronic acids moieties, see: (a) Hansen, S. U.; Baráth, M.; Salameh, B. A. B.; Pritchard, R. G.; Stimpson, W. T.; Gardiner, J. M.; Jayson, G. C. *Org. Lett.* **2009**, *11*, 4528–4531; (b) Tatai, J.; Osztrovszky, G.; Kajtár-Perey, M.; Fügedi, P. *Carbohydr. Res.* **2008**, *343*, 596–606; (c) Hassan, H. H. A. M. *Mini-Rev. Org. Chem.* **2007**, *4*, 61–74; (d) Lohman, G. J. S.; Hunt, D. K.; Högermeier, J. A.; Seeberger, P. H. *J. Org. Chem.* **2003**, *68*, 7559–7561; (e) Ke, W.; Whitfield, D. M.; Gill, M.; Larocque, S.; Yu, S.-H. *Tetrahedron Lett.* **2003**, *44*, 7767–7770; (f) Barroca, N.; Jacquinet, J.-C. *Carbohydr. Res.* **2000**, *329*, 667–679; (g) Lubineau, A.; Alais, G. J.; Bonnaffé, D. *Tetrahedron Lett.* **2000**, *41*, 307–311; (h) Ojeda, R.; de Paz, J. L.; Martín-Lomas, M.; Lassaletta, J. M. *Synlett* **1999**, 1316–1318; (i) Hinou, H.; Kurosawa, H.; Matsuoka, K.; Terunuma, D.; Kuzuhara, H. *Tetrahedron Lett.* **1999**, *40*, 1501–1504; (j) Rochepeau-Jobron, L.; Jacquinet, J.-C. *Carbohydr. Res.* **1997**, *303*, 395–406; (k) Medakovic, D. *Carbohydr. Res.* **1994**, *253*, 299–300; (l) Jacquinet, J.-C.; Petitou, M.; Duchaussoy, P.; Lederman, I.; Choay, J.; Torri, G.; Sinay, P. *Carbohydr. Res.* **1984**, *130*, 221–241; (m) Czuk, R.; Hoenig, H.; Nimpf, J.; Weidmann, H. *Tetrahedron Lett.* **1980**, *21*, 2135–2136.
8. Greene, T. W.; Wuts, P. G. M. *Protective Groups in Organic Synthesis*, 3rd ed.; John Wiley & Sons.: New York, NY, 1999.
9. A trace amount of furanose form was observed by NMR analysis.
10. Alper, P. B.; Hung, S.-C.; Wong, C.-H. *Tetrahedron Lett.* **1996**, *37*, 6029–6032.
11. α -Selective glycosylation with 2-azido imidate in the presence of TBDMSOTf was previously reported, see: Kovensky, J.; Duchaussoy, P.; Petitou, M.; Sinay, P. *Tetrahedron: Asymmetry* **1996**, *7*, 3119–3128.